

tayco.  
work well.™

V.E.S.

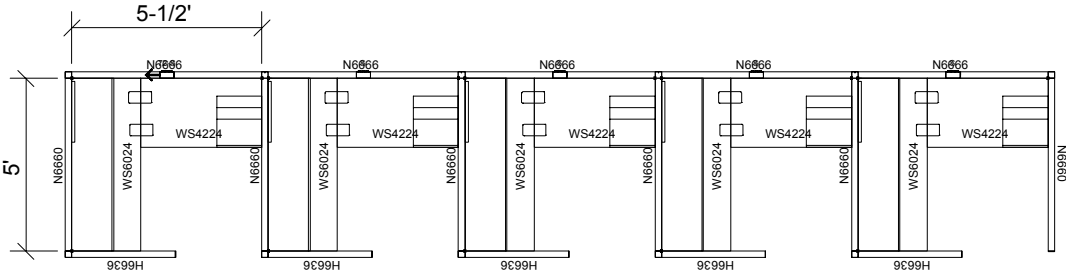
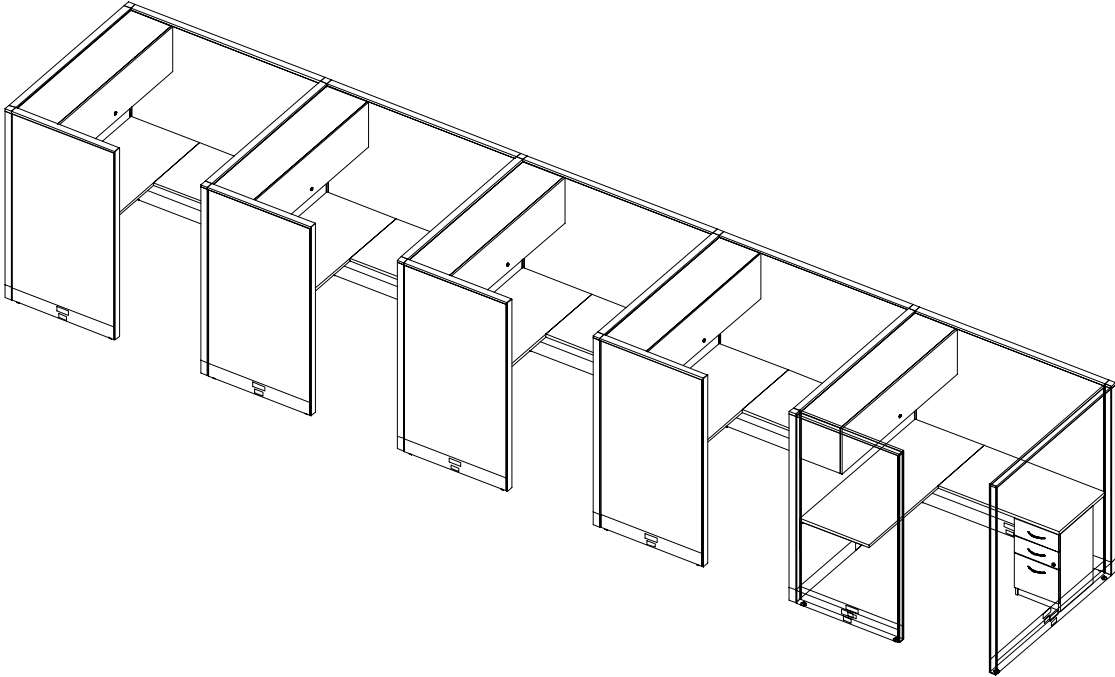
value engineered systems  
typicals

# tayco. work well.™

## V.e.s. -- typical 1

5'x5-1/2' 5 stations --  $\overline{A} \overline{B} \overline{C} \overline{D} \overline{E}$

- \*66H PANELS
- \*GRADE 1 FABRIC
- \*POWER ALONG THE SPINE
- \*BBF
- \*60"W FLIPPER CABINET

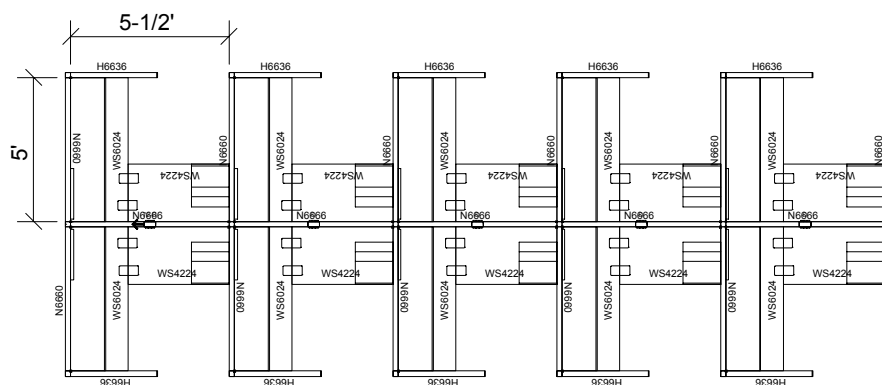
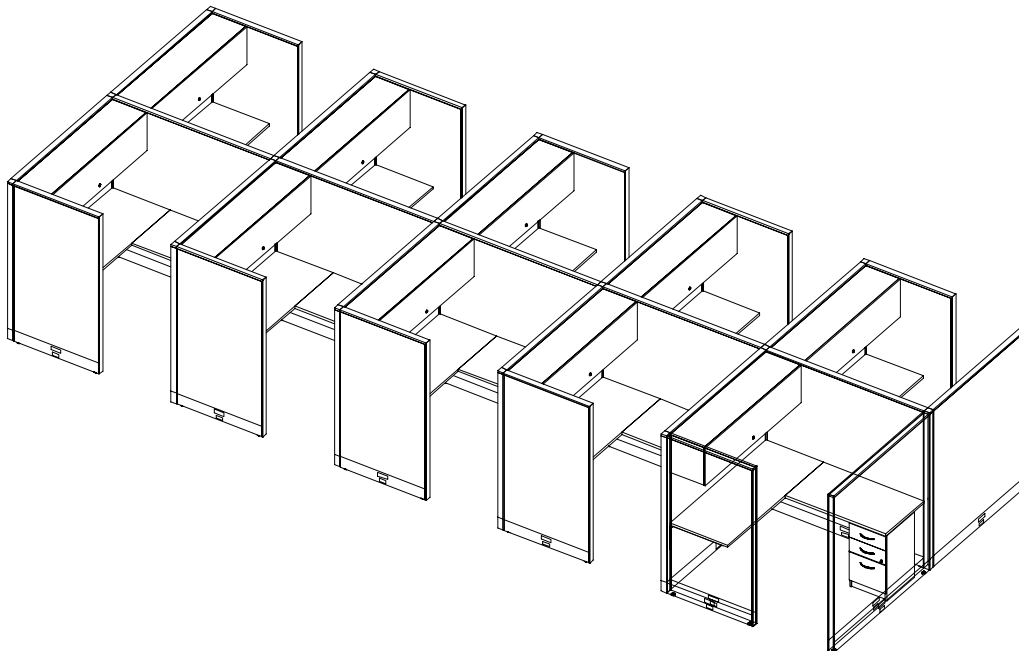


tayco.  
work well.™

**v.e.s.** -- typical 2

5'x5-1/2' 10 stations -- \$FI FIEA^!Acad } E

- \*66H PANELS
- \*GRADE 1 FABRIC
- \*POWER ALONG THE SPINE
- \*BBF
- \*60"W FLIPPER CABINET

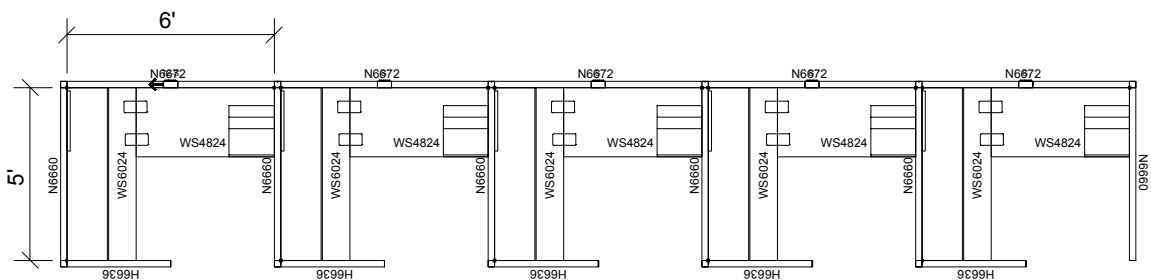
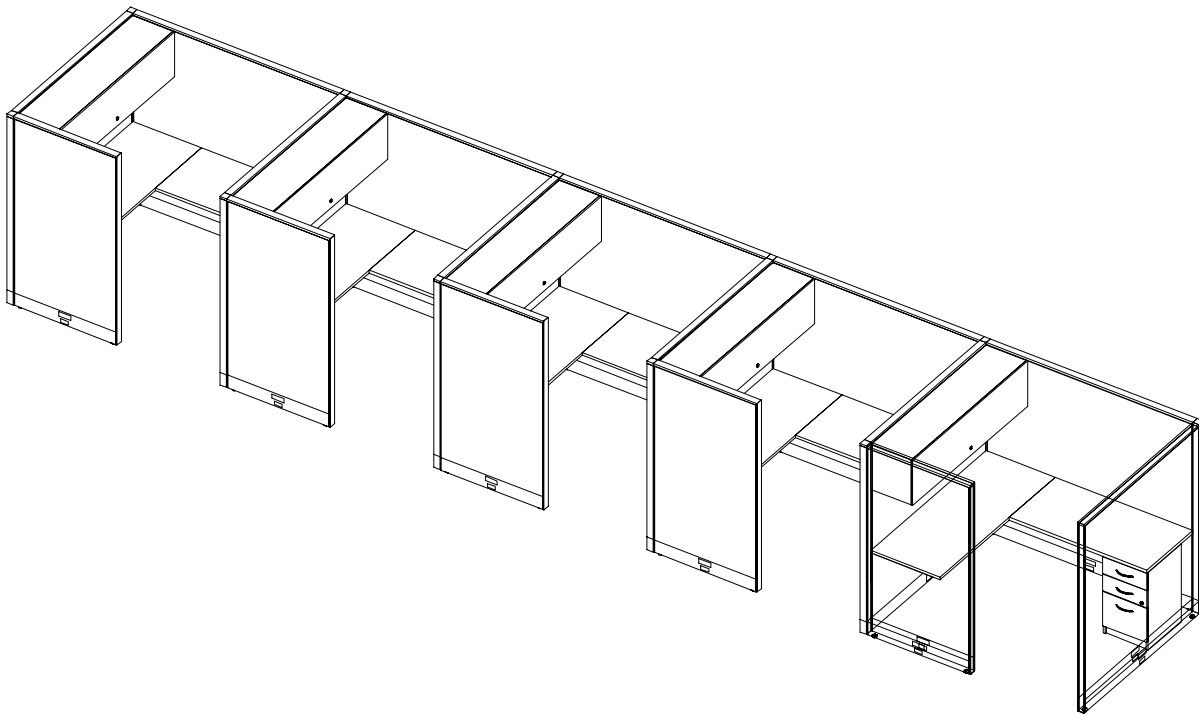


tayco.  
work well.™

**v.e.s.** -- typical 3

5'x6' 5 stations -- \$11,000 (A) (E)

- \*66H PANELS
- \*GRADE 1 FABRIC
- \*POWER ALONG THE SPINE
- \*BBF
- \*60"W FLIPPER CABINET

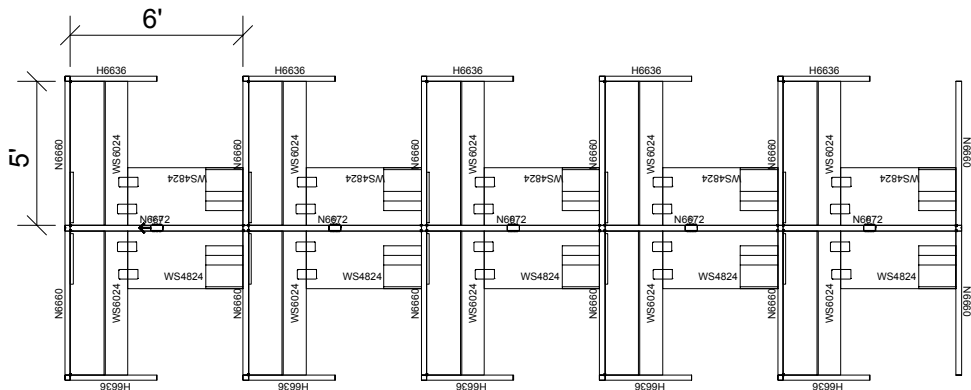
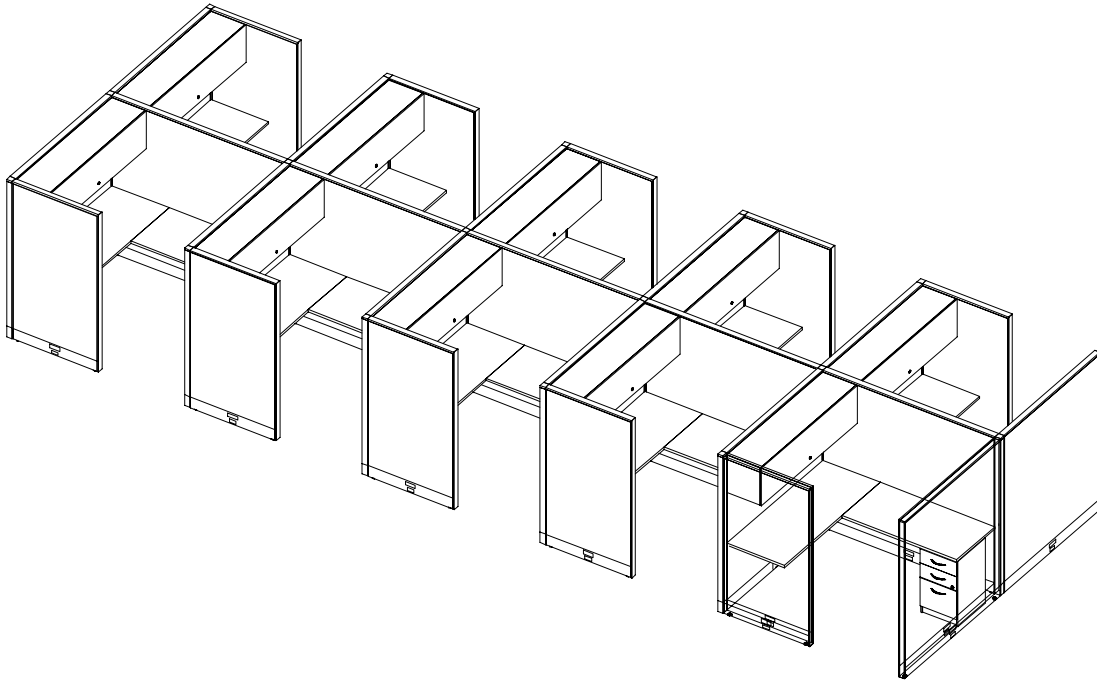


tayco.  
work well.™

**V.e.s.** -- typical 4

5'x6' 10 stations -- \$FI HEC A A ca ) E

- \*66H PANELS
- \*GRADE 1 FABRIC
- \*POWER ALONG THE SPINE
- \*BBF
- \*60"W FLIPPER CABINET

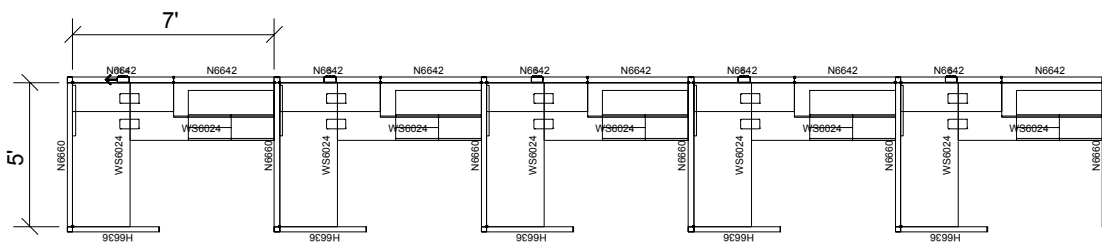
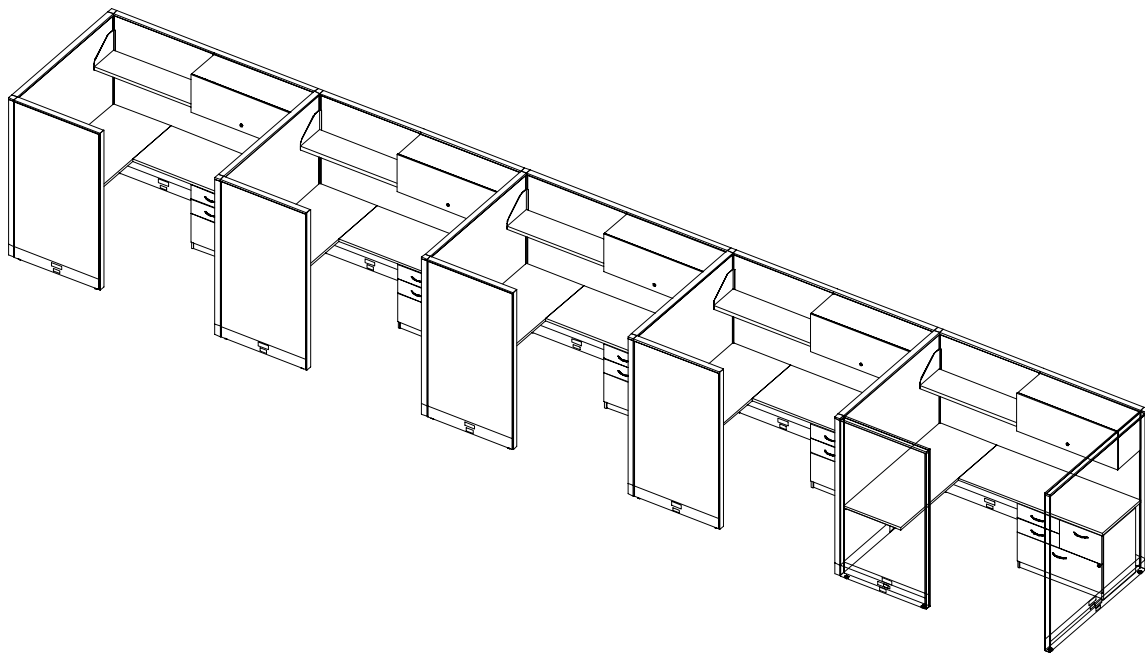


tayco.  
work well.™

V.e.s. -- typical 5

5'x7' 5 stations -- \$66,600 (A) (A) (A) (A) (A) (A) (A) (A) (A) (A)

- \*66H PANELS
- \*GRADE 1 FABRIC
- \*POWER ALONG THE SPINE
- \*COMBO LATERAL
- \*42"W FLIPPER CABINET
- \*42"W METAL SHELF

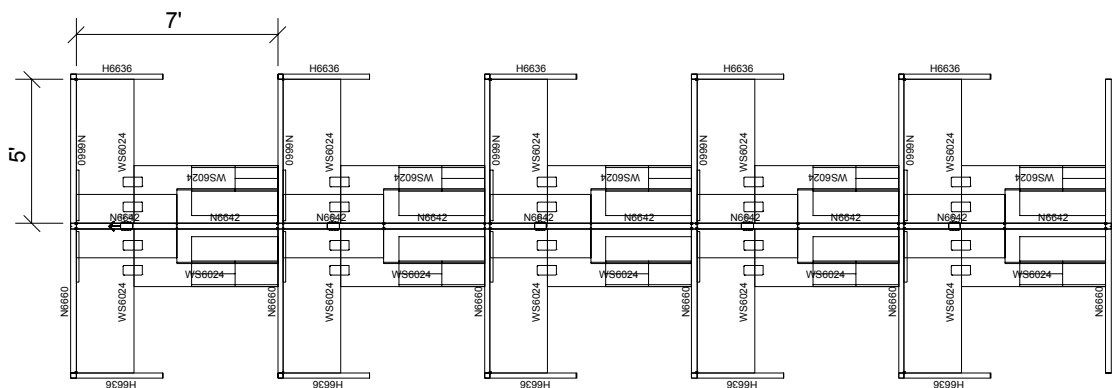
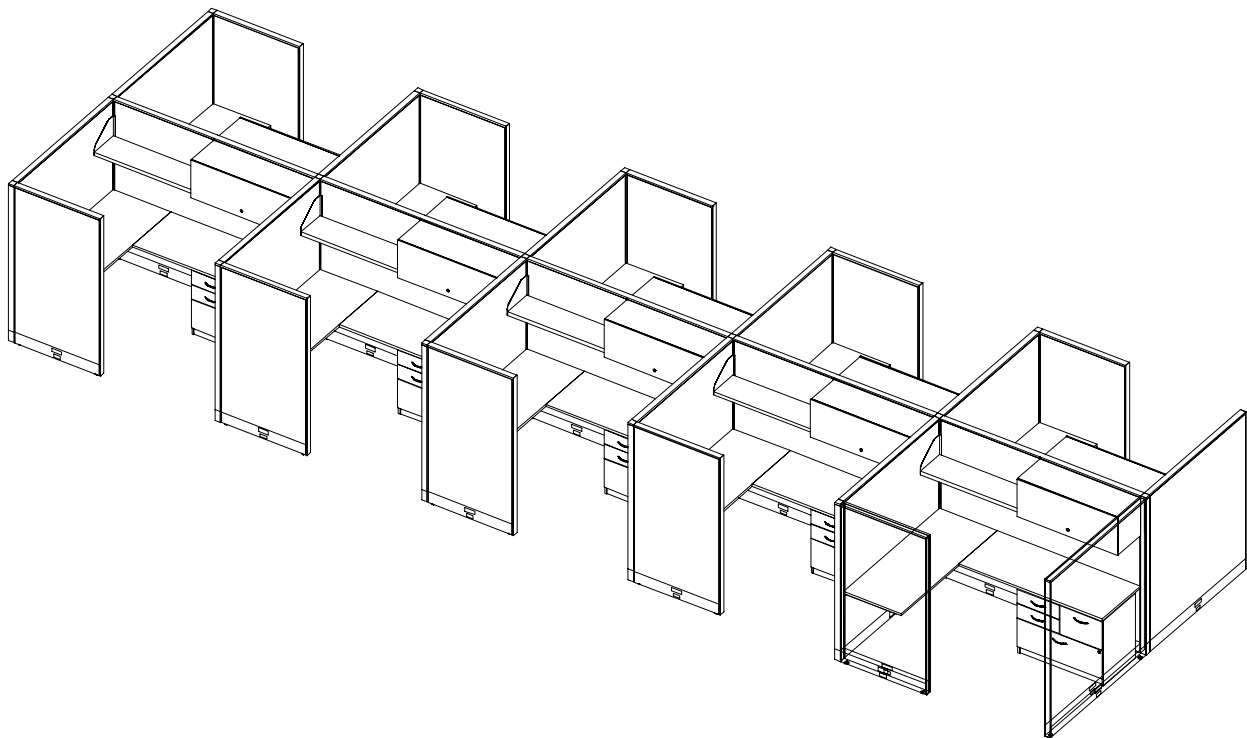


# tayco. work well.™

## V.e.s. -- typical 6

5'x7' 10 stations -- \$Fi Fi (C) ^! Á (a) ) È

- \*66H PANELS
- \*GRADE 1 FABRIC
- \*POWER ALONG THE SPINE
- \*COMBO LATERAL
- \*42"W FLIPPER CABINET
- \*42"W METAL SHELF

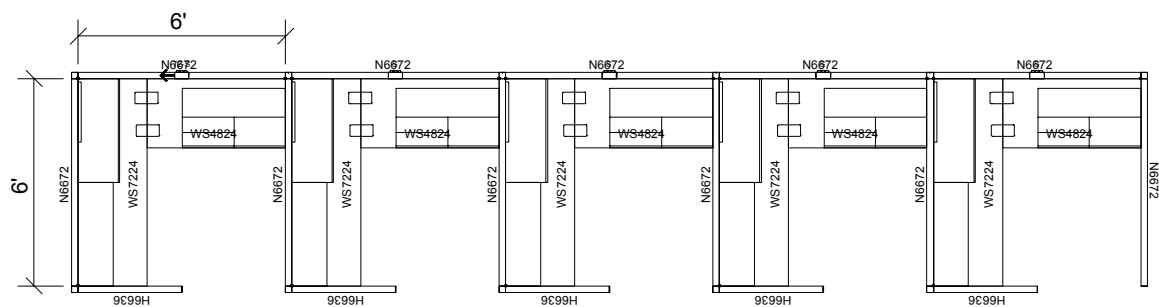
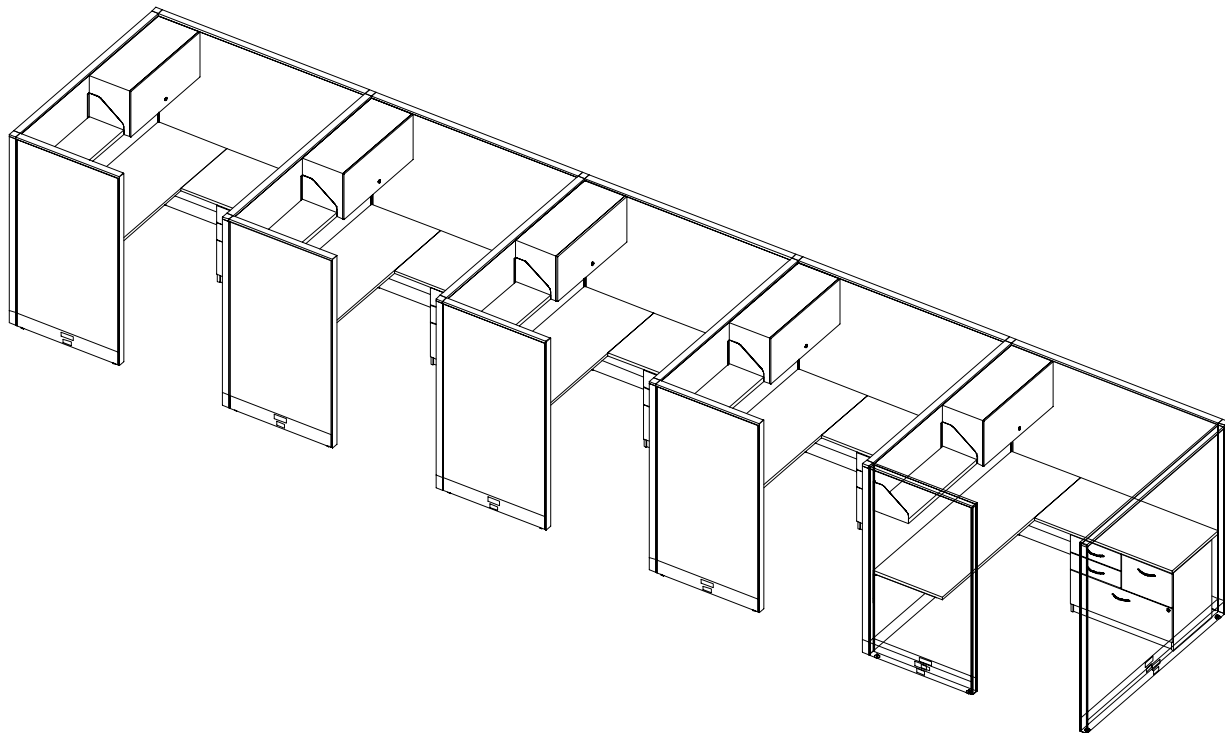


# tayco. work well.™

## V.e.s. -- typical 7

6'x6' 5 stations -- \$6,100 (A) (A) (A) (A) (A)

- \*66H PANELS
- \*GRADE 1 FABRIC
- \*POWER ALONG THE SPINE
- \*COMBO LATERAL
- \*36"W FLIPPER CABINET
- \*36"W METAL SHELF



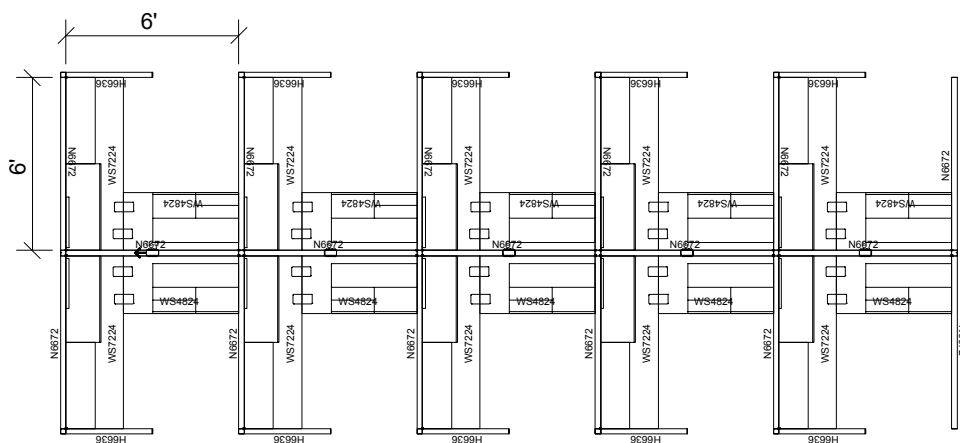
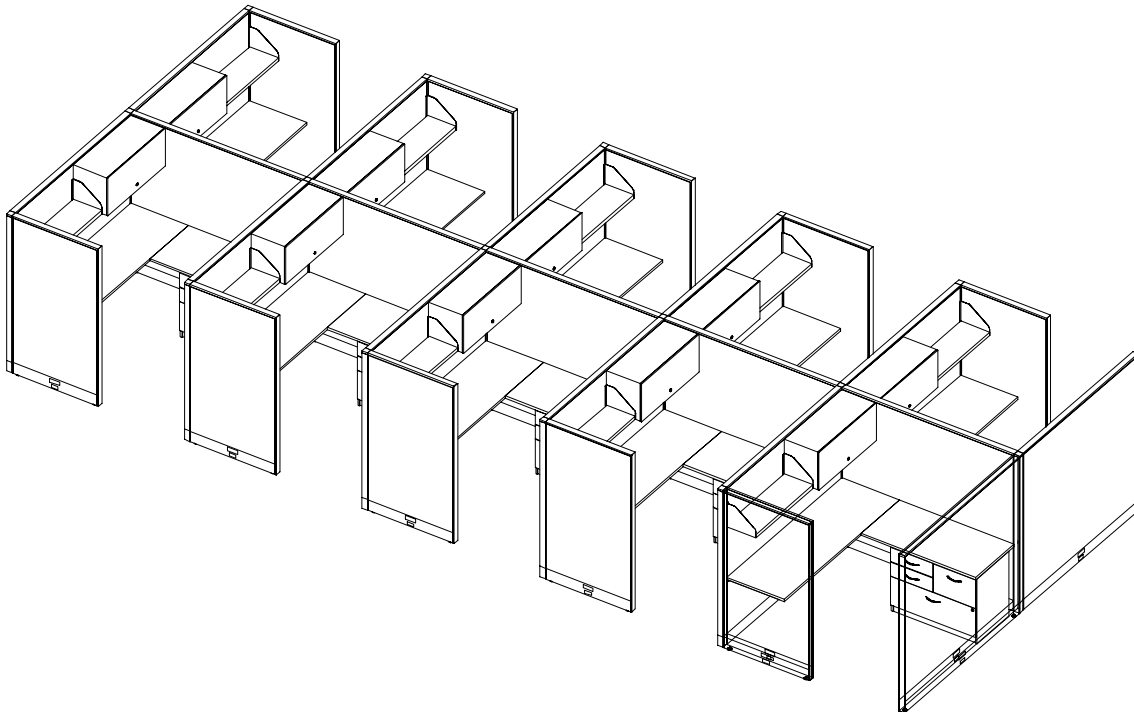


tayco.  
work well.™

**V.e.s.** -- typical 8

6'x6' 10 stations -- \$F1 FHC A A ca ) E

- \*66H PANELS
- \*GRADE 1 FABRIC
- \*POWER ALONG THE SPINE
- \*COMBO LATERAL
- \*36"W FLIPPER CABINET
- \*36"W METAL SHELF

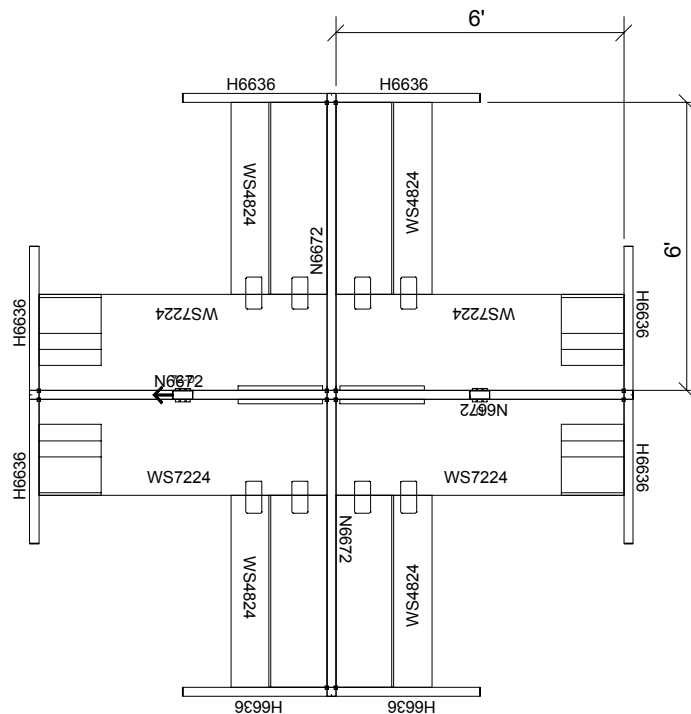
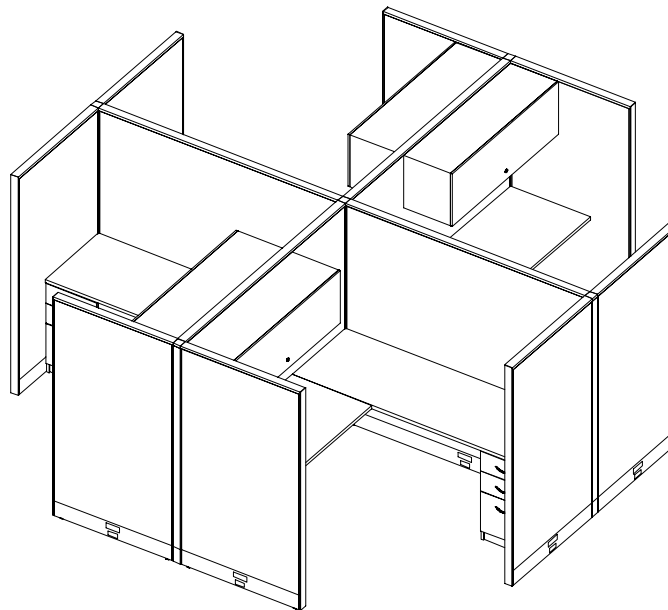


tayco.  
work well.™

**v.e.s.** -- typical 9

6'x6' 4 stations -- \$FI JEC A (ca) E

- \*66H PANELS
- \*GRADE 1 FABRIC
- \*POWER ALONG THE SPINE
- \*BBF
- \*48"W FLIPPER CABINET

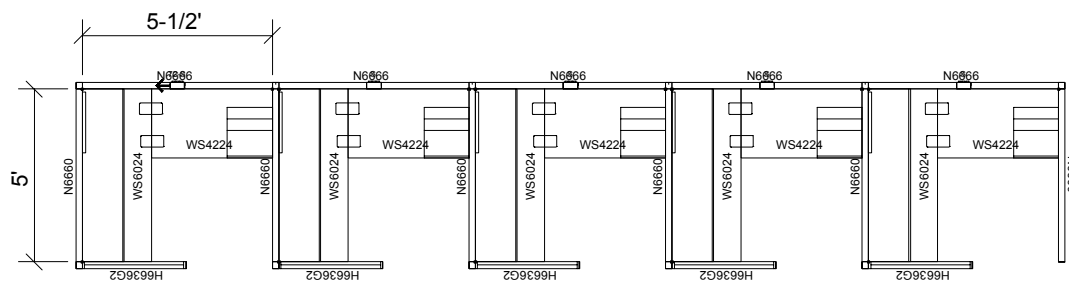
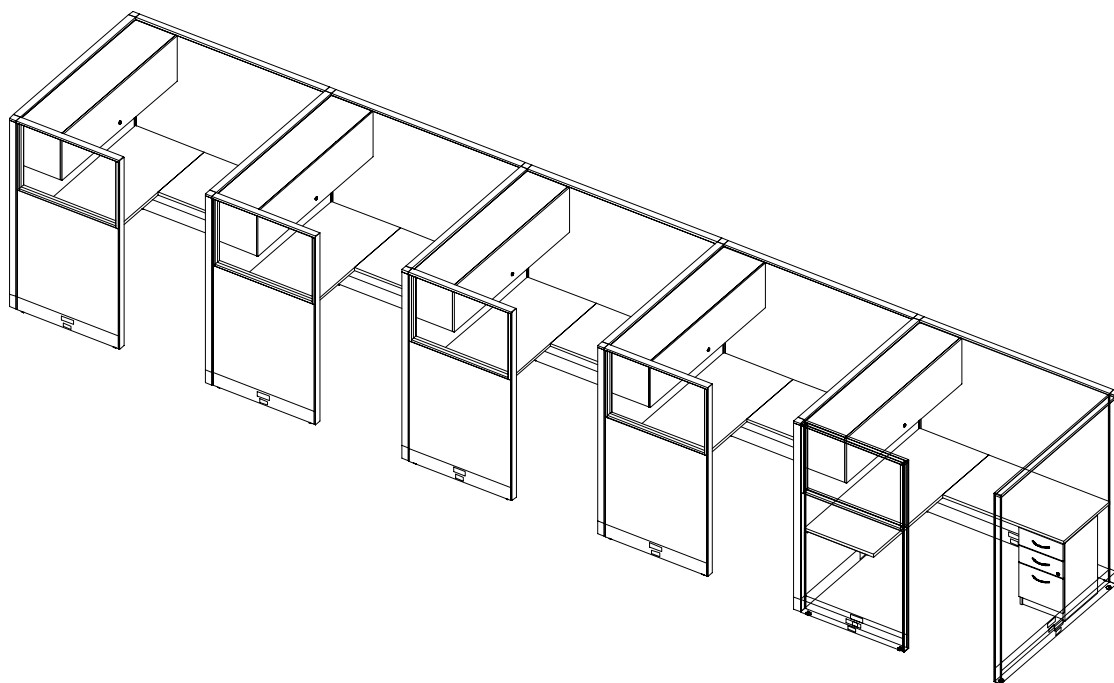


tayco.  
work well.™

**v.e.s.** -- typical 10

5'X5-1/2' 5 stations -- \$FÍ Ĩ HĒĀ ĤĀ ĆĀĤ ĤĒĒ Ē

- \*66H PANELS
- \*GRADE 1 FABRIC
- \*BRONZE GLAZING
- \*POWER ALONG THE SPINE
- \*BBF
- \*60"W FLIPPER CABINET

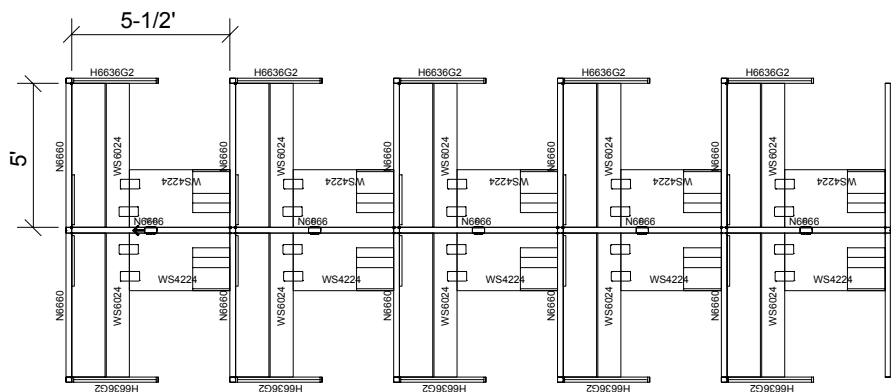
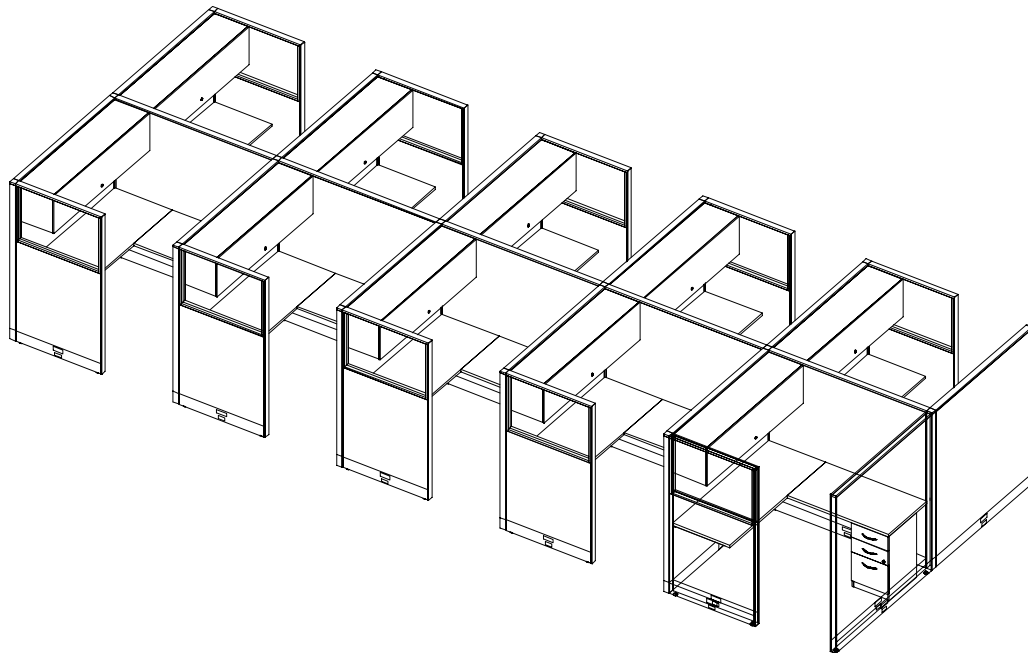


tayco.  
work well.™

V.e.s. -- typical 11

5'X5-1/2' 10 stations -- \$11,100 (est.)

- \*66H PANELS
- \*GRADE 1 FABRIC
- \*BRONZE GLAZING
- \*POWER ALONG THE SPINE
- \*BBF
- \*60"W FLIPPER CABINET

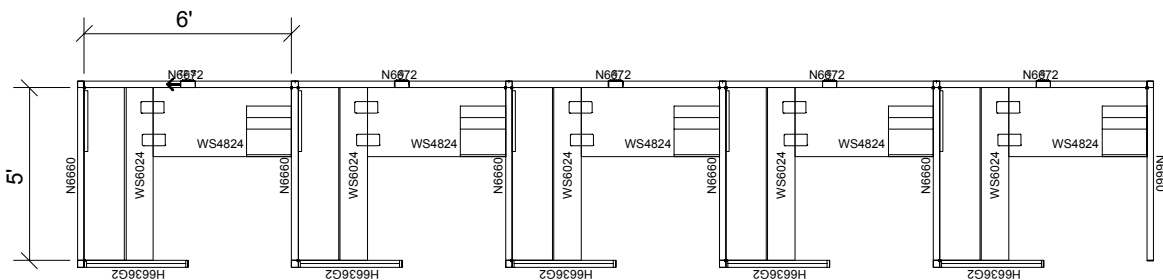
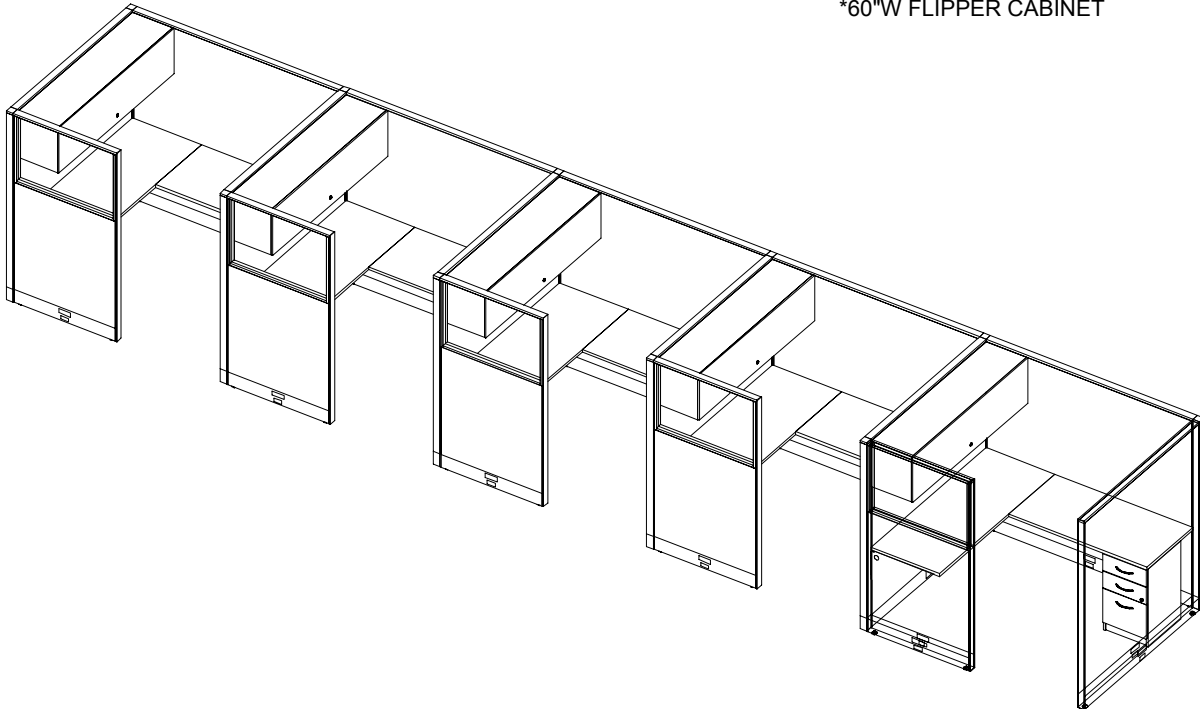


tayco.  
work well.™

**v.e.s.** -- typical 12

5'X6' 5 stations -- \$F i i E C A ^ { A c a } E

- \*66H PANELS
- \*GRADE 1 FABRIC
- \*BRONZE GLAZING
- \*POWER ALONG THE SPINE
- \*BBF
- \*60"W FLIPPER CABINET

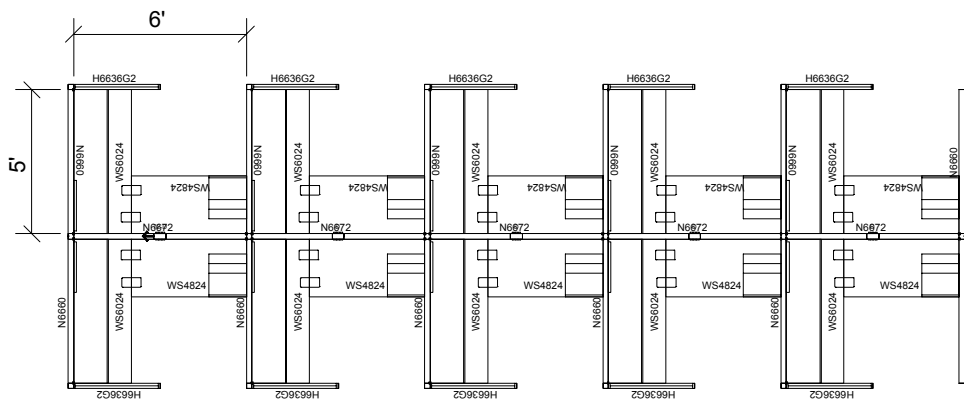
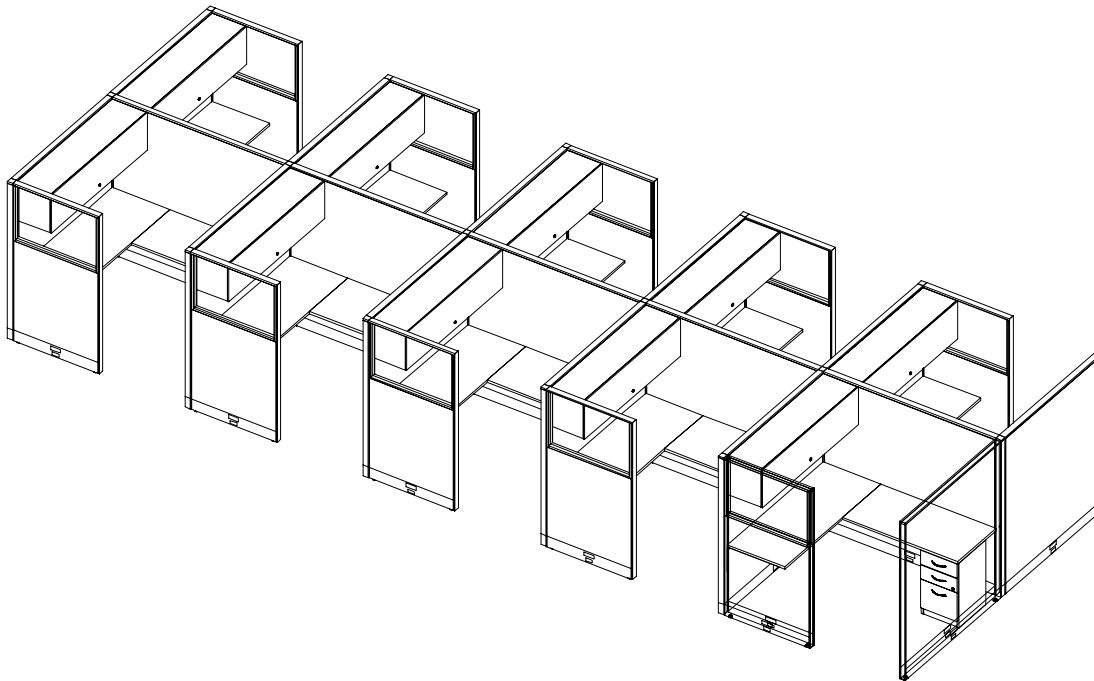


tayco.  
work well.™

V.e.s. -- typical 13

5'X6' 10 stations -- \$11,100 (A) (A) (A) (A) (A) (A) (A) (A) (A) (A) (A)

- \*66H PANELS
- \*GRADE 1 FABRIC
- \*BRONZE GLAZING
- \*POWER ALONG THE SPINE
- \*BBF
- \*60"W FLIPPER CABINET

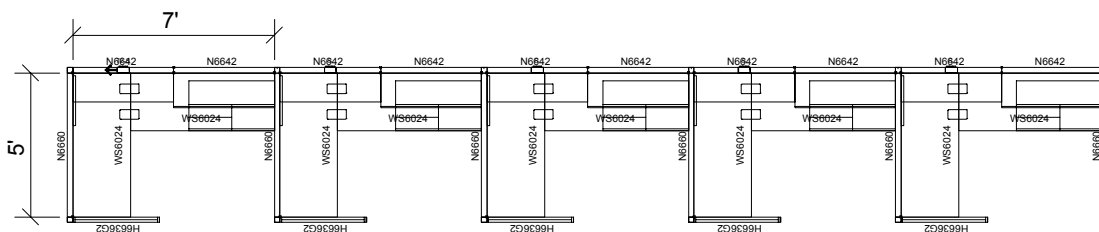
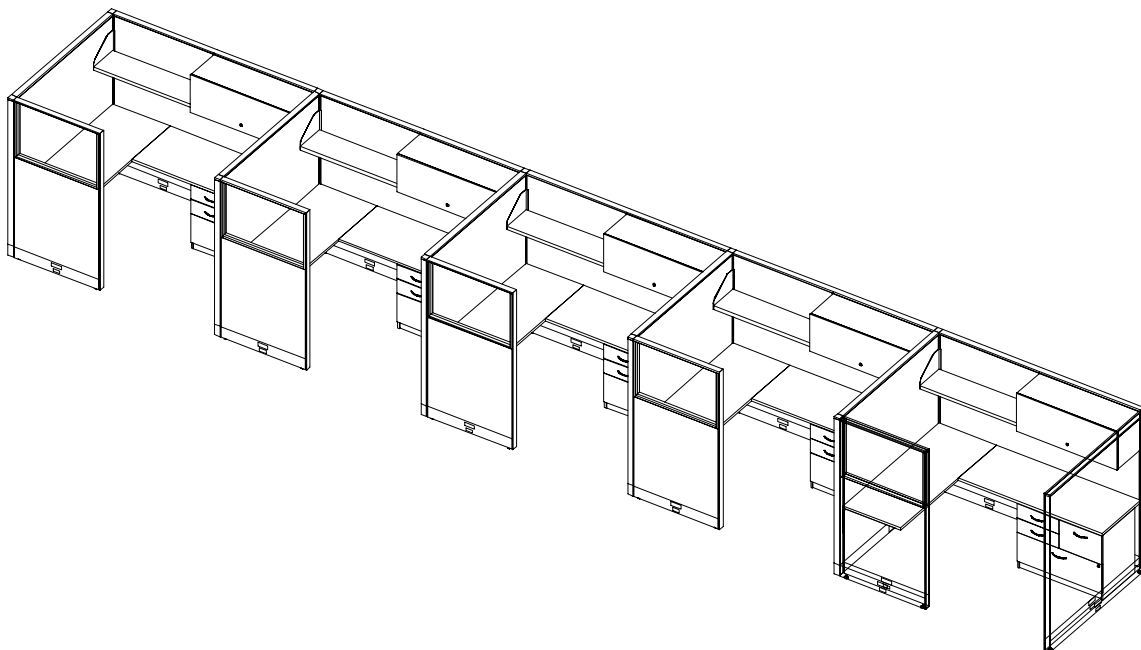


tayco.  
work well.™

**v.e.s.** -- typical 14

5'X7' 5 stations -- \$6,100 (est.)

- \*66H PANELS
- \*GRADE 1 FABRIC
- \*BRONZE GLAZING
- \*POWER ALONG THE SPINE
- \*COMBO LATERAL
- \*42"W FLIPPER CABINET
- \*42"W METAL SHELF

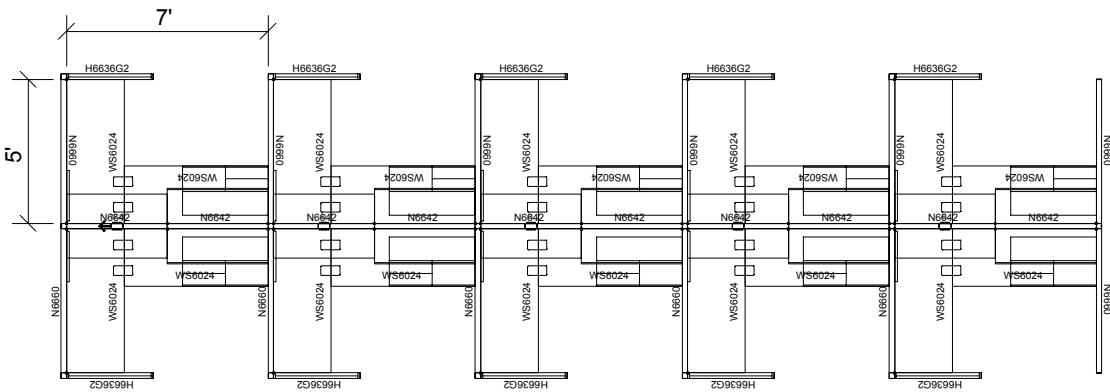
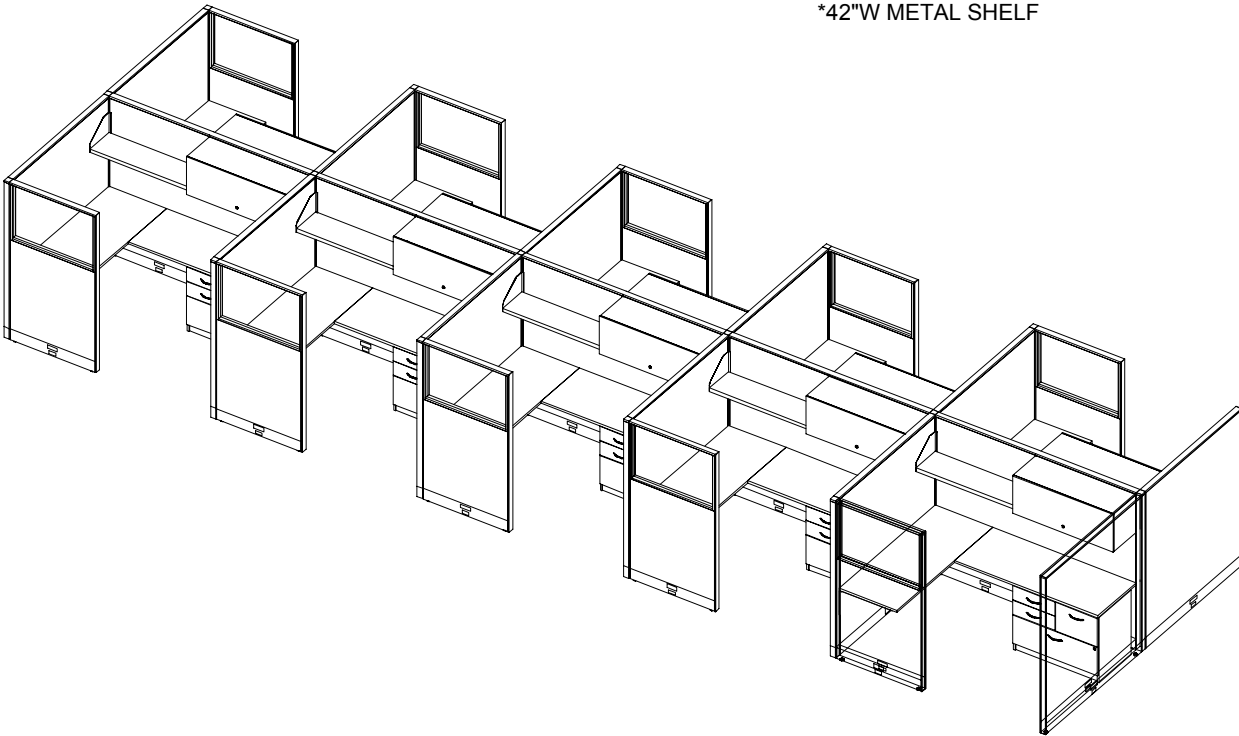


# tayco. work well.™

## V.e.s. -- typical 15

5'X7' 10 stations -- \$11,000 (est.)

- \*66H PANELS
- \*GRADE 1 FABRIC
- \*BRONZE GLAZING
- \*POWER ALONG THE SPINE
- \*COMBO LATERAL
- \*42"W FLIPPER CABINET
- \*42"W METAL SHELF



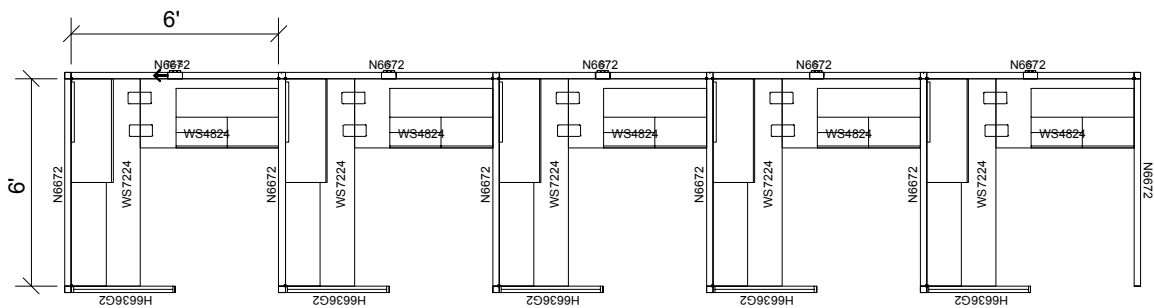
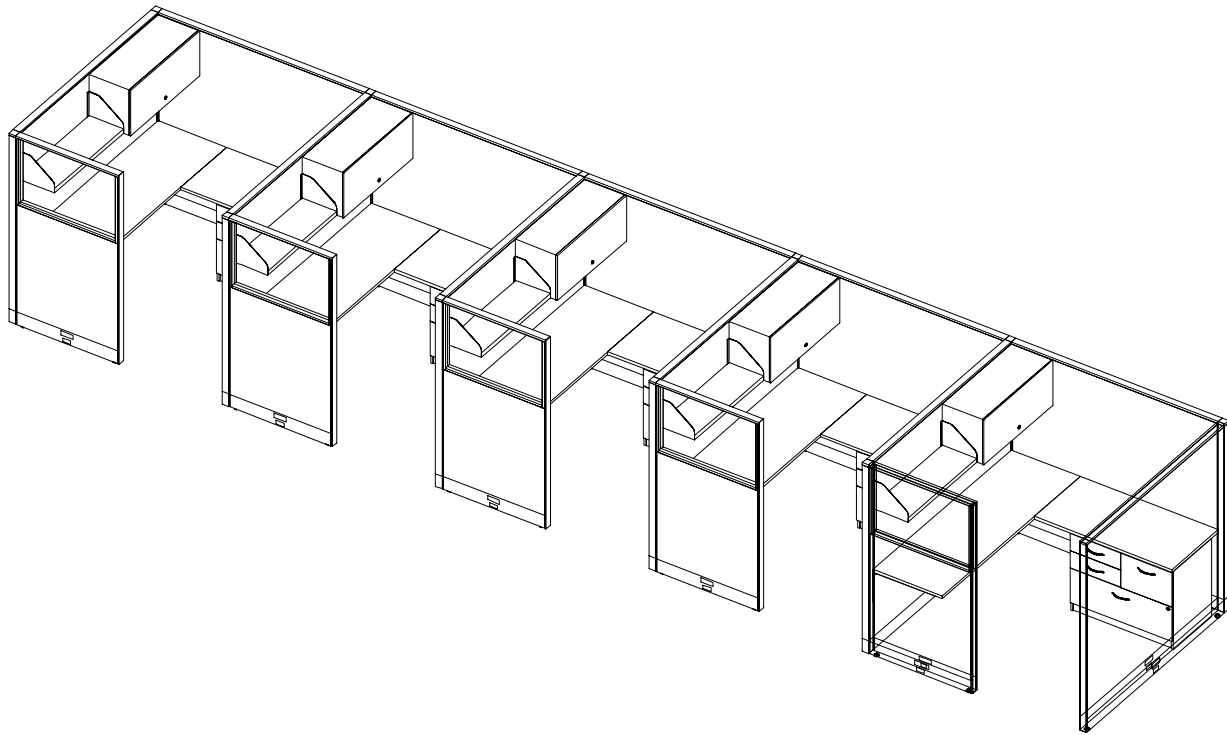


tayco.  
work well.™

**v.e.s.** -- typical 16

6'X6' 5 stations -- \$66,999 (est.)

- \*66H PANELS
- \*GRADE 1 FABRIC
- \*BRONZE GLAZING
- \*POWER ALONG THE SPINE
- \*COMBO LATERAL
- \*36"W FLIPPER CABINET
- \*36"W METAL SHELF

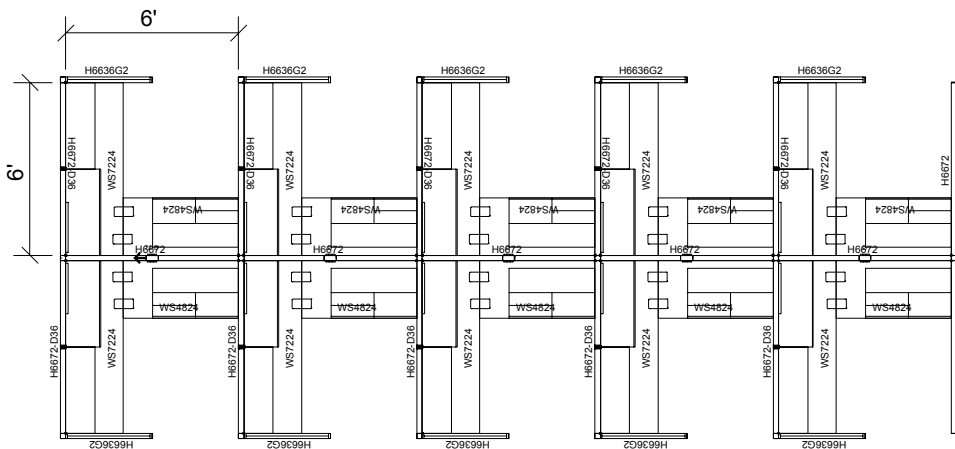
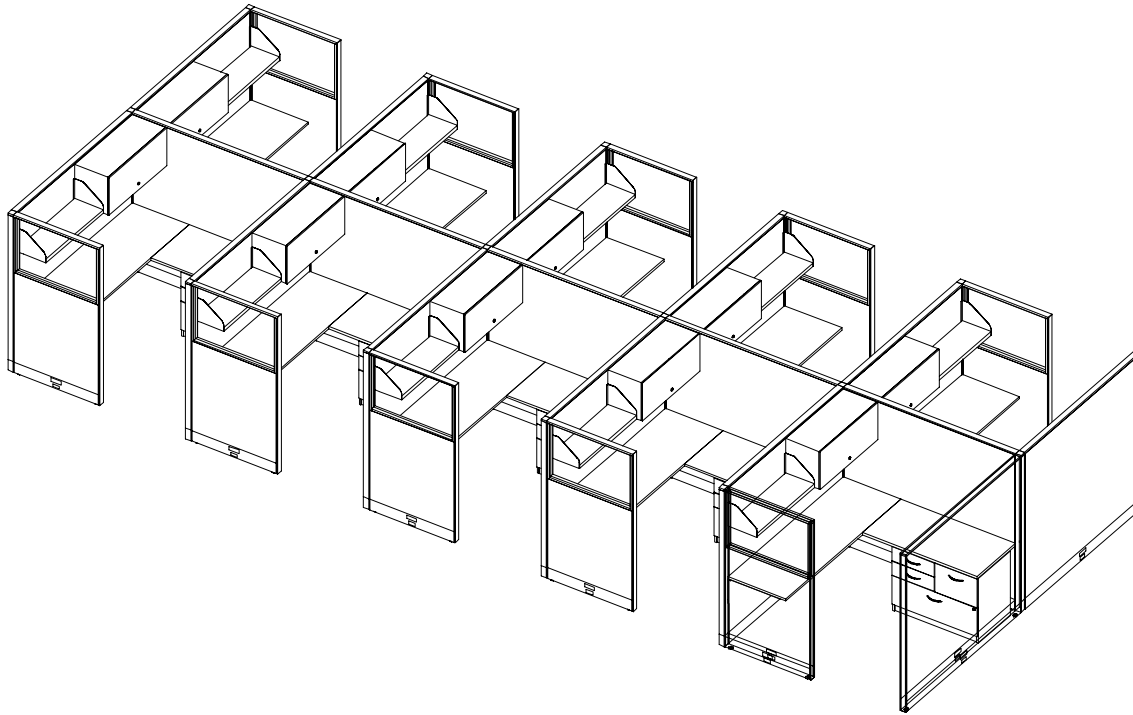


tayco.  
work well.™

V.e.s. -- typical 17

6'X6' 10 stations -- \$111,000 (est.)

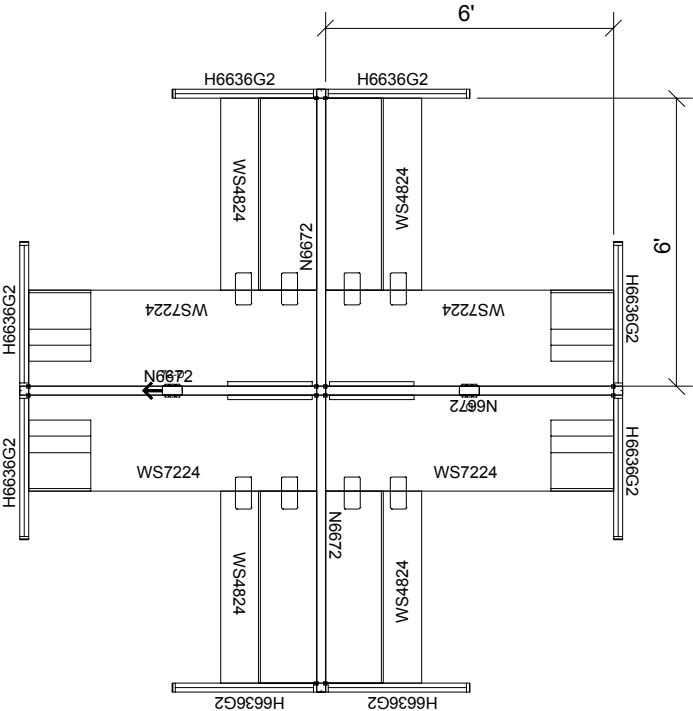
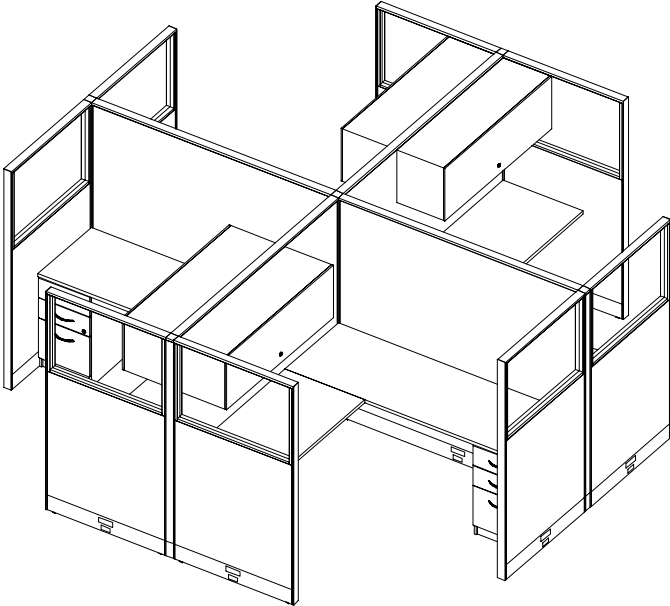
- \*66H PANELS
- \*GRADE 1 FABRIC
- \*BRONZE GLAZING
- \*POWER ALONG THE SPINE
- \*COMBO LATERAL
- \*36"W FLIPPER CABINET
- \*36"W METAL SHELF



v.e.s. -- typical 18

6'X6' 4 stations -- \$F1 FG ECA Aca } È

- \*66H PANELS
- \*GRADE 1 FABRIC
- \*BRONZE GLAZING
- \*POWER ALONG THE SPINE
- \*BBF
- \*48"W FLIPPER CABINET

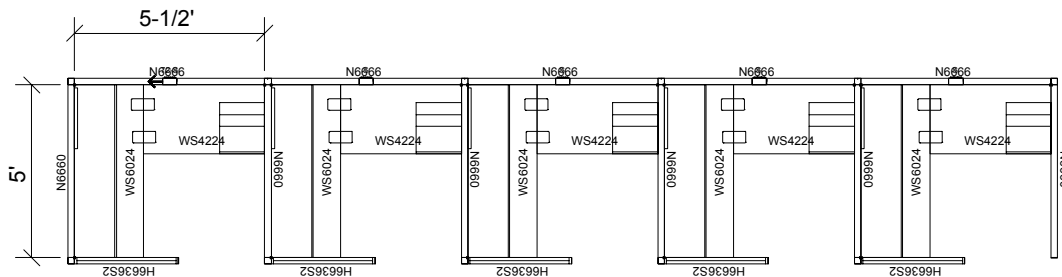
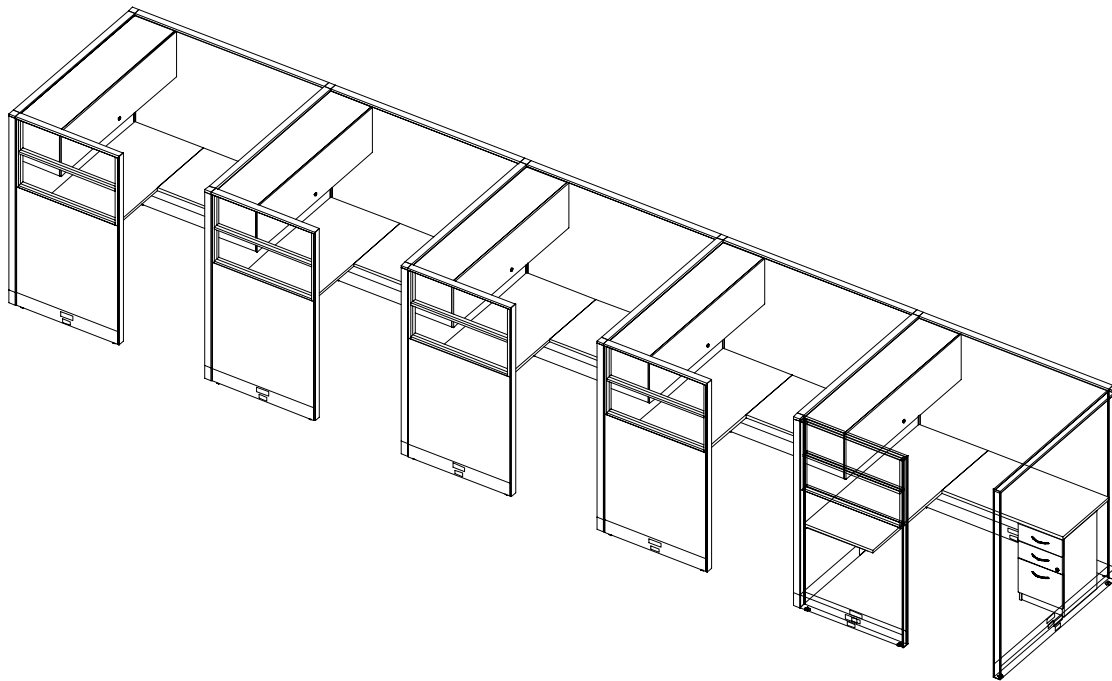


tayco.  
work well.™

**v.e.s.** -- typical 19

5'X5-1/2' 5 stations -- \$Fī ī ī Ē Ą Ą Ą Ą Ē

- \*66H PANELS
- \*GRADE 1 FABRIC
- \*BRONZE GLAZING
- \*POWER ALONG THE SPINE
- \*BBF
- \*60"W FLIPPER CABINET

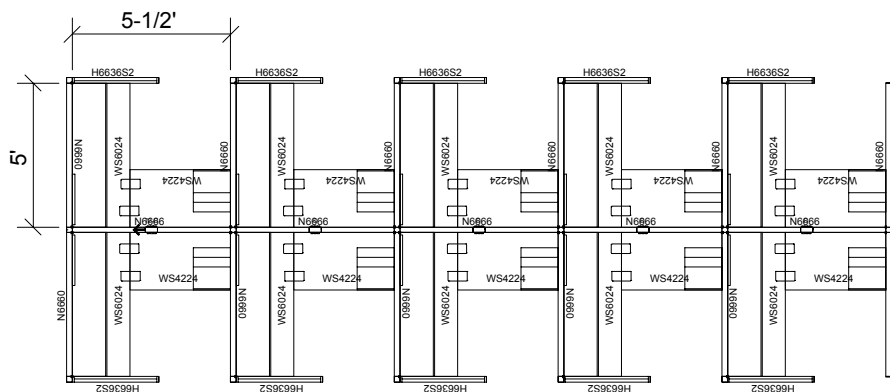
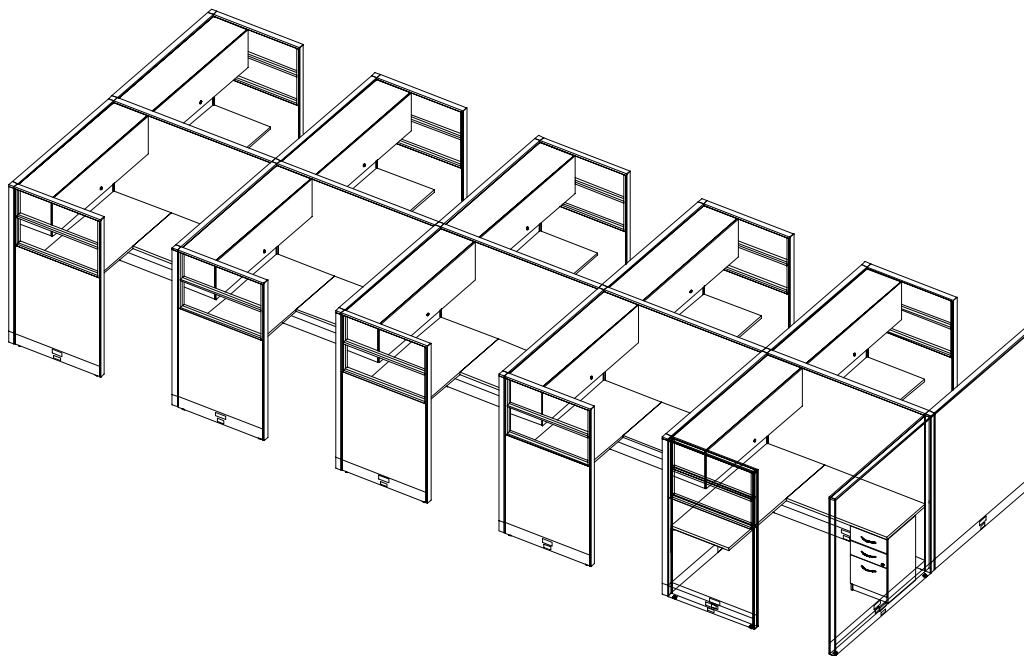


tayco.  
work well.™

**V.e.s.** -- typical 20

5'X5-1/2' 10 stations -- \$FI | | EC | A | ca | } È

- \*66H PANELS
- \*GRADE 1 FABRIC
- \*BRONZE GLAZING
- \*POWER ALONG THE SPINE
- \*BBF
- \*60"W FLIPPER CABINET

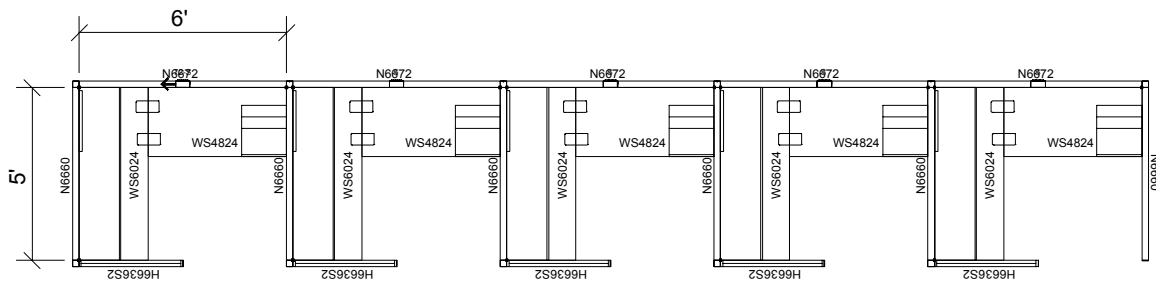
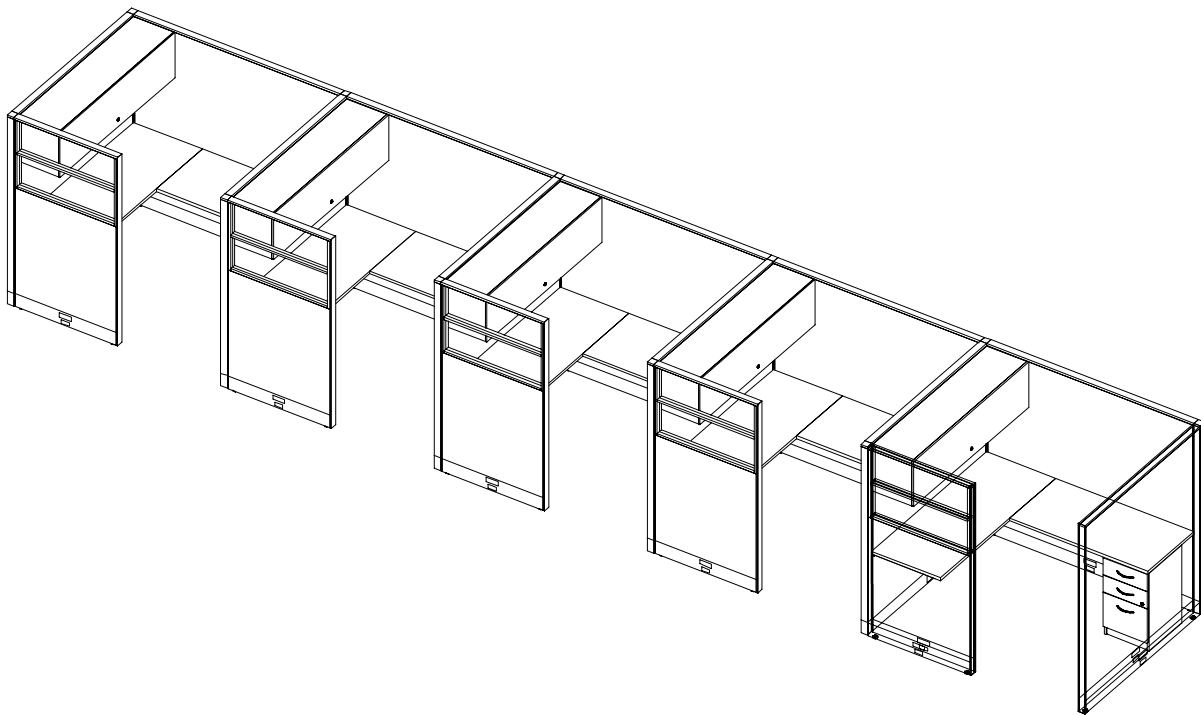


tayco.  
work well.™

**v.e.s.** -- typical 21

5'X6' 5 stations -- \$F1 €E(A ^! Á ca) È

- \*66H PANELS
- \*GRADE 1 FABRIC
- \*BRONZE GLAZING
- \*POWER ALONG THE SPINE
- \*BBF
- \*60"W FLIPPER CABINET

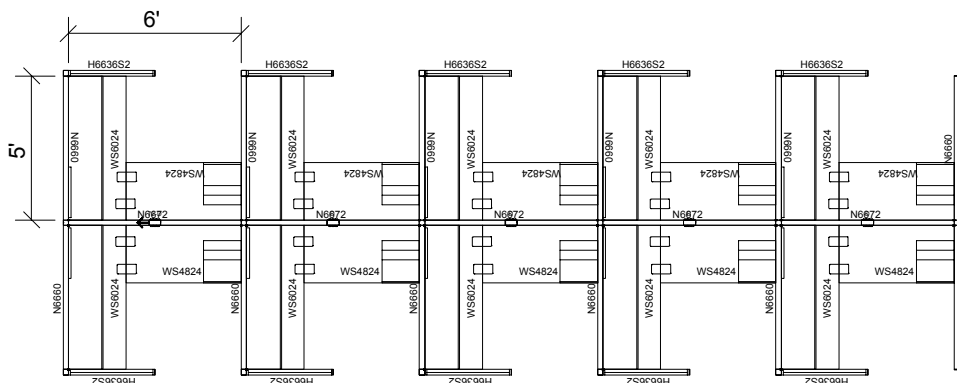
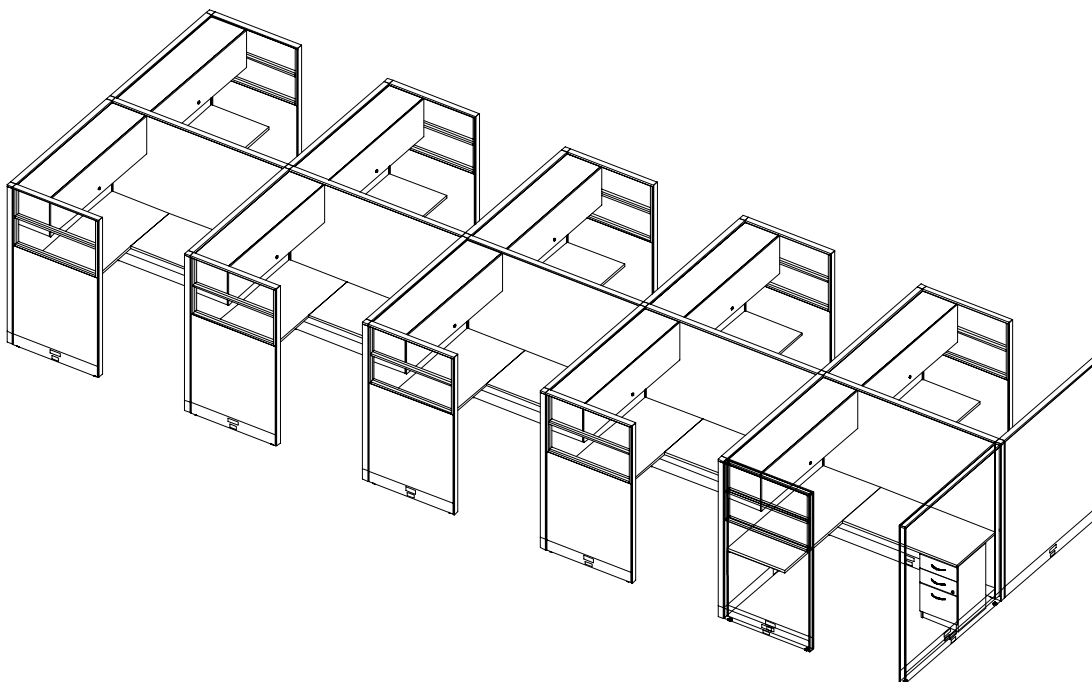


tayco.  
work well.™

V.e.s. -- typical 22

5'X6' 10 stations -- \$1 JJE (A A ca) È

- \*66H PANELS
- \*GRADE 1 FABRIC
- \*BRONZE GLAZING
- \*POWER ALONG THE SPINE
- \*BBF
- \*60"W FLIPPER CABINET

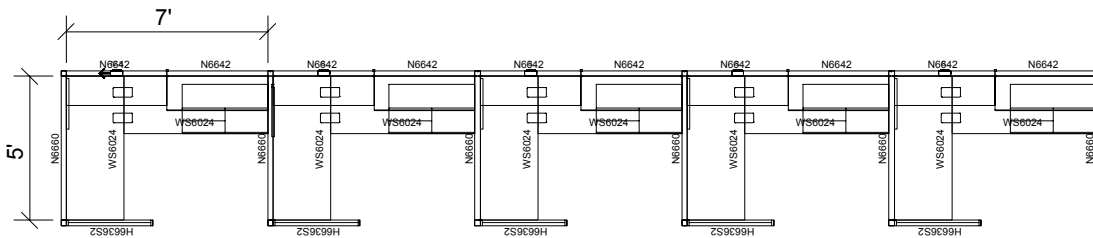
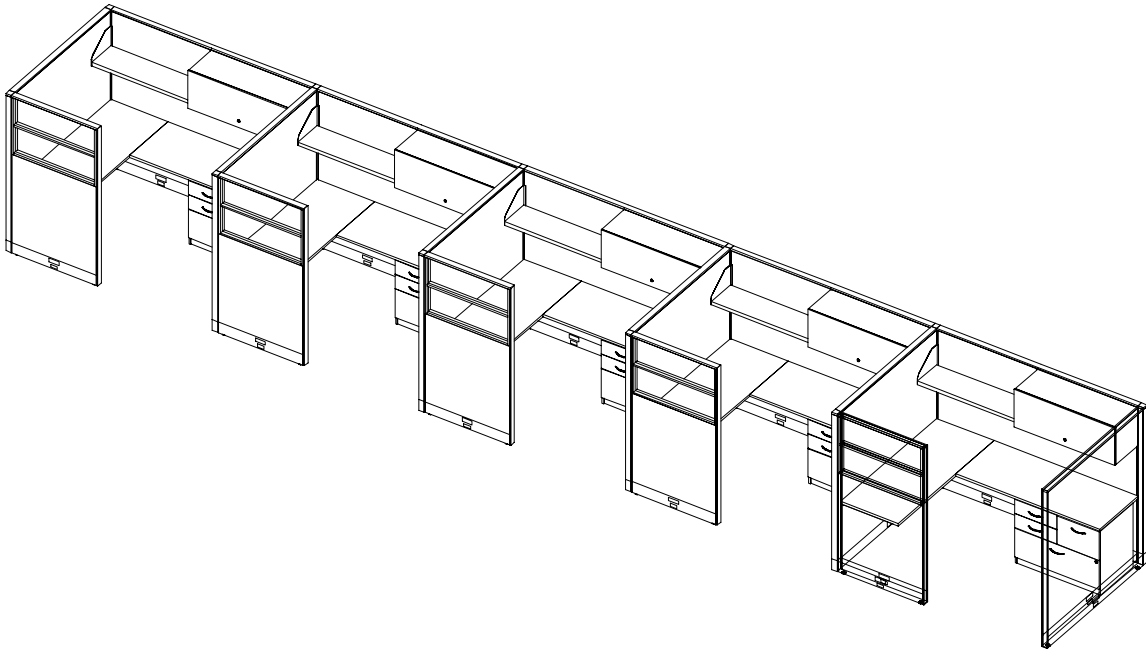


# tayco. work well.™

## V.e.s. -- typical 23

5'X7' 5 stations -- \$CFUECA^!Áca } É

- \*66H PANELS
- \*GRADE 1 FABRIC
- \*BRONZE GLAZING
- \*POWER ALONG THE SPINE
- \*COMBO LATERAL
- \*42"W FLIPPER CABINET
- \*42"W METAL SHELF



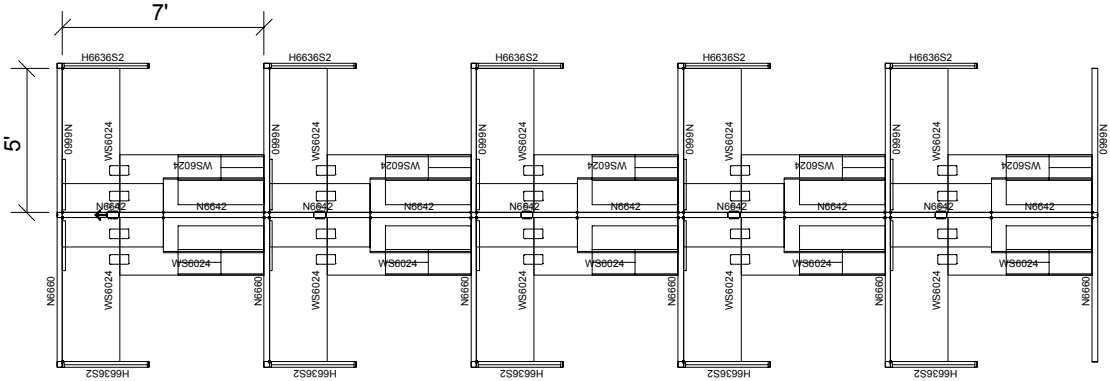
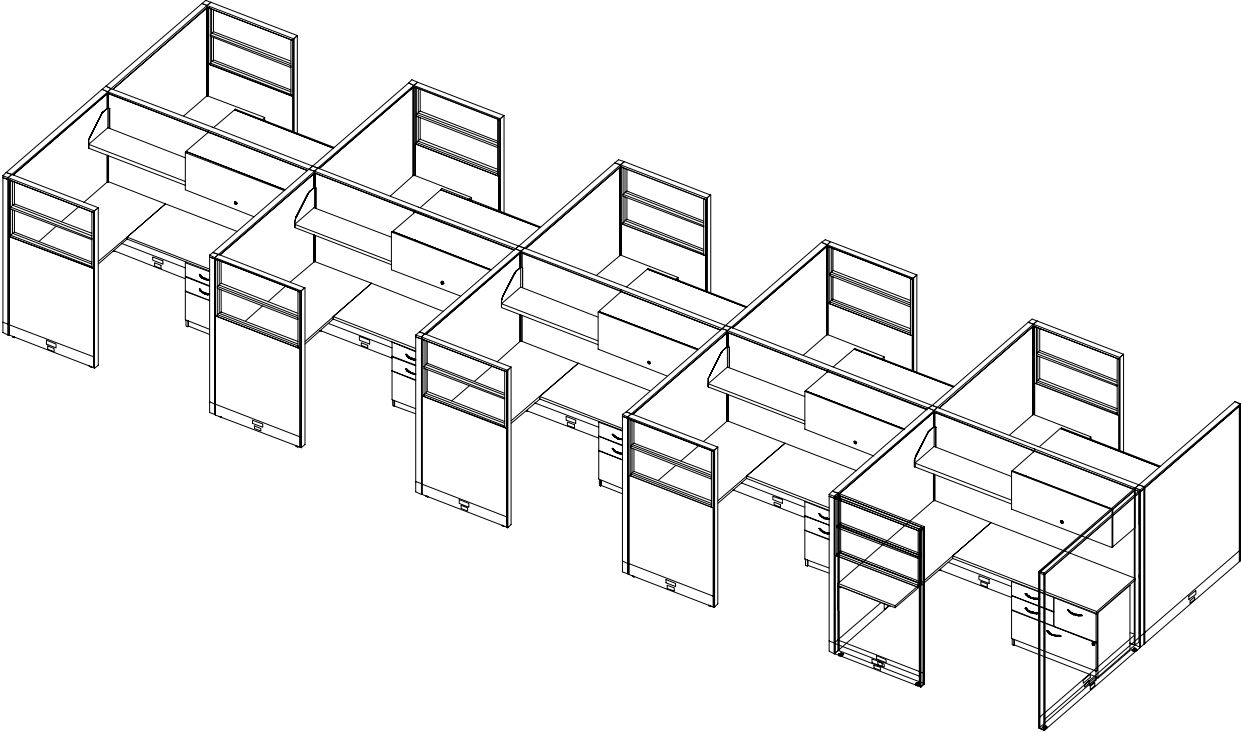


tayco.  
work well.™

V.e.s. -- typical 24

5'X7' 10 stations -- \$15,000 (est.)

- \*66H PANELS
- \*GRADE 1 FABRIC
- \*BRONZE GLAZING
- \*POWER ALONG THE SPINE
- \*COMBO LATERAL
- \*42"W FLIPPER CABINET
- \*42"W METAL SHELF

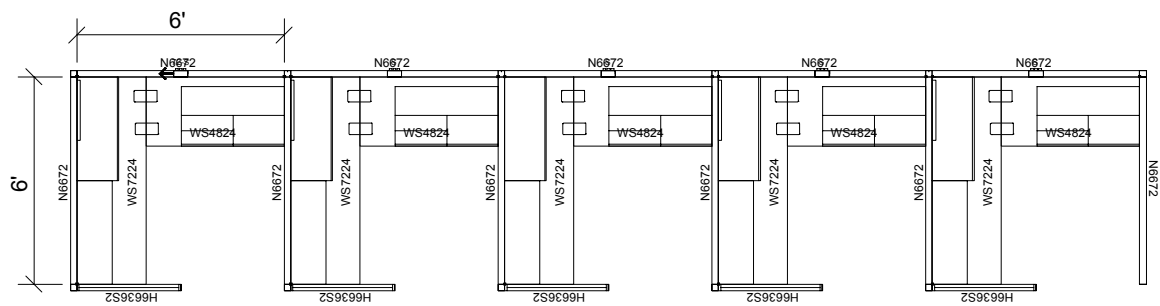
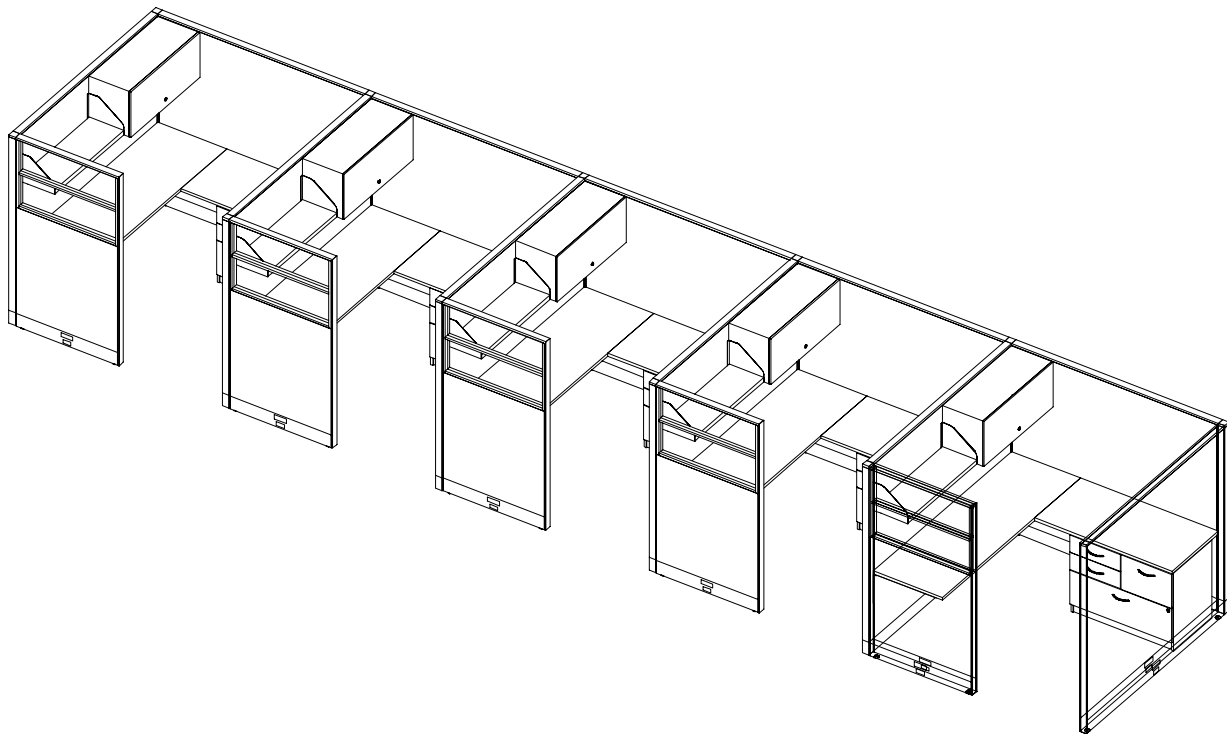


tayco.  
work well.™

**v.e.s.** -- typical 25

6'X6' 5 stations -- \$61,100 (est.)

- \*66H PANELS
- \*GRADE 1 FABRIC
- \*BRONZE GLAZING
- \*POWER ALONG THE SPINE
- \*COMBO LATERAL
- \*36"W FLIPPER CABINET
- \*36"W METAL SHELF

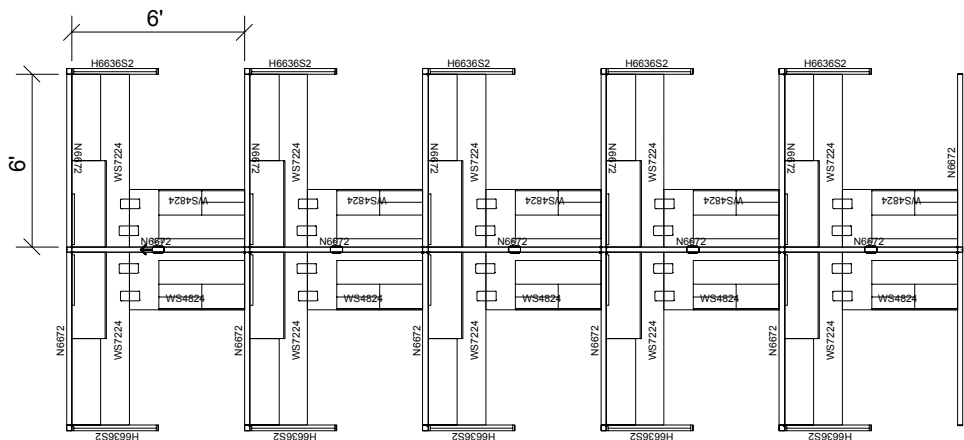
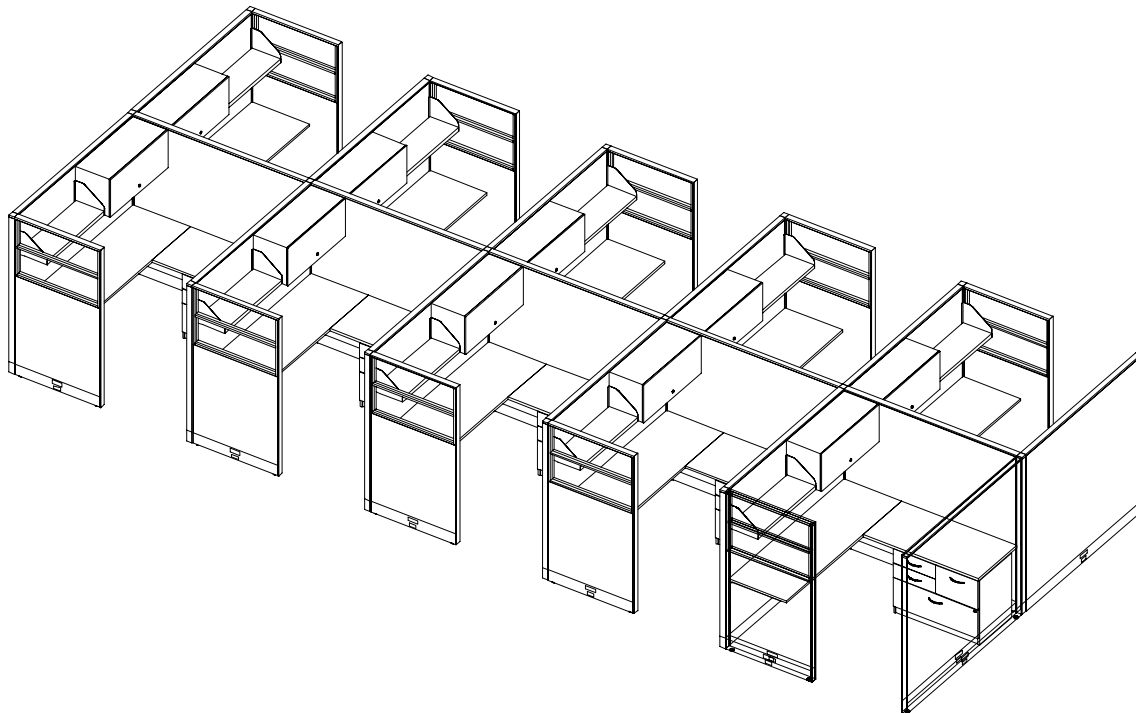


tayco.  
work well.™

**v.e.s.** -- typical 26

6'X6' 10 stations -- \$Fì CECÁ A(Á ca) È

- \*66H PANELS
- \*GRADE 1 FABRIC
- \*BRONZE GLAZING
- \*POWER ALONG THE SPINE
- \*COMBO LATERAL
- \*36"W FLIPPER CABINET
- \*36"W METAL SHELF

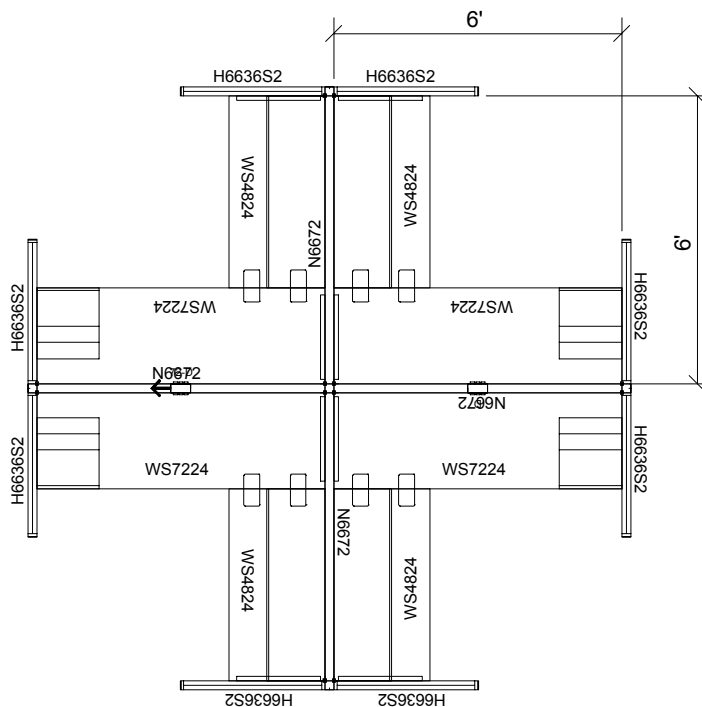
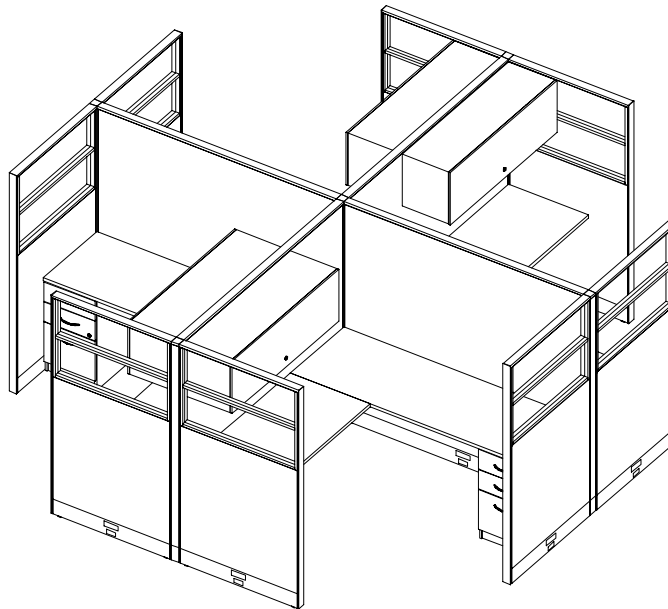


tayco.  
work well.™

**v.e.s.** -- typical 27

6'X6' 4 stations -- \$F | F E C | A | A c o a } E

- \*66H PANELS
- \*GRADE 1 FABRIC
- \*BRONZE GLAZING
- \*POWER ALONG THE SPINE
- \*BBF
- \*48"W FLIPPER CABINET

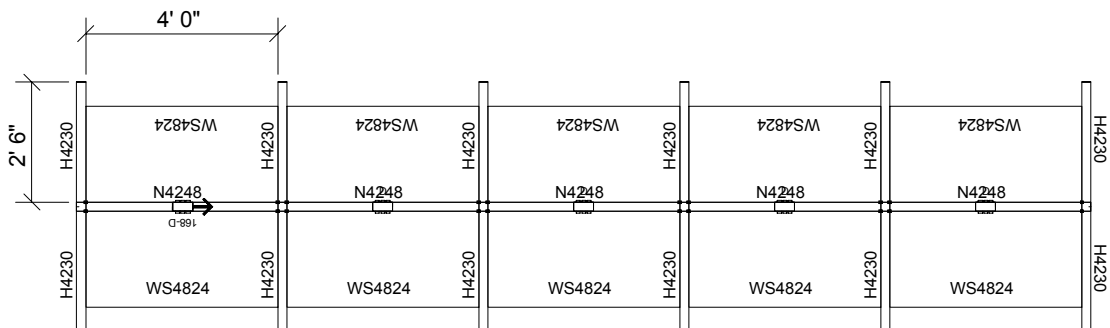
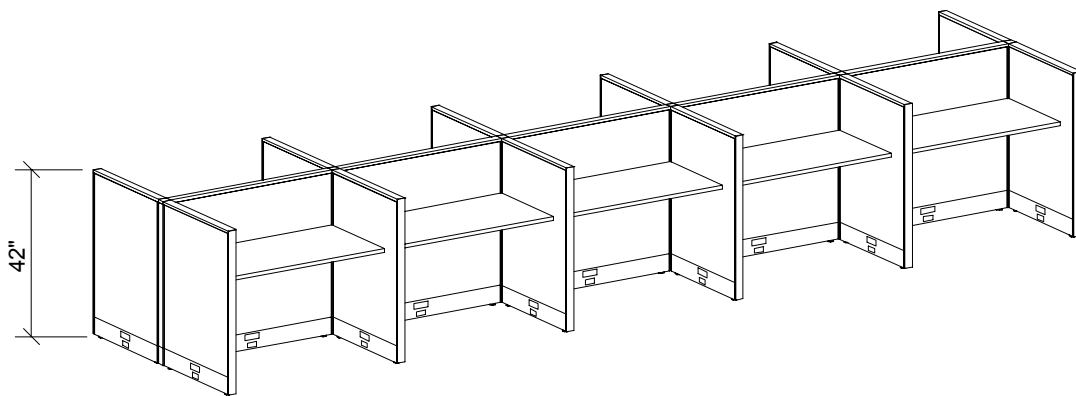


tayco.  
work well.™

V.e.s. -- typical 28

- \* 42H PANELS
- \* ELECTRICS ALONG THE SPINE
- \* GRADE 1 FABRIC

4'X2-1/2' 10 stations -- \$166.00 (10 stations)

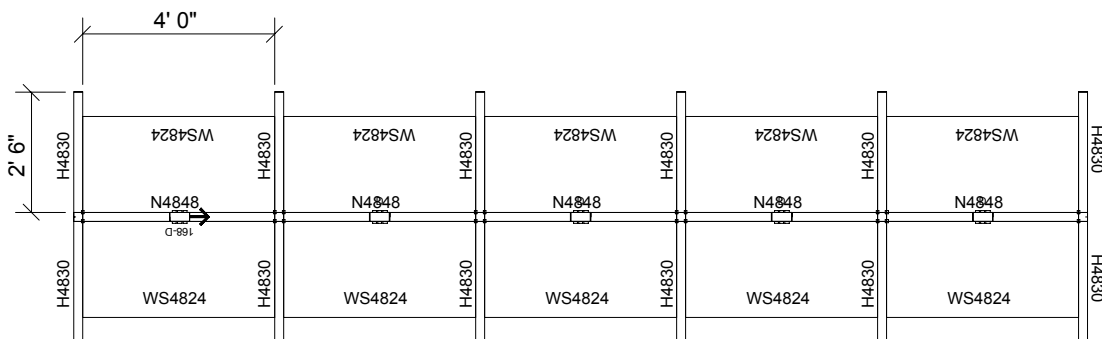
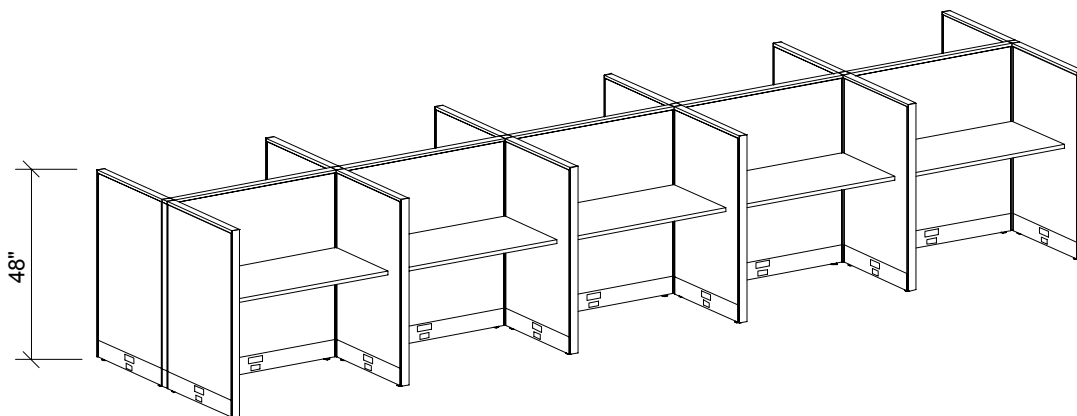


tayco.  
work well.™

V.e.s. -- typical 29

- \* 48H PANELS
- \* ELECTRICS ALONG THE SPINE
- \* GRADE 1 FABRIC

4'X2-1/2' 10 stations -- \$1 HUB ^! Á ca) É

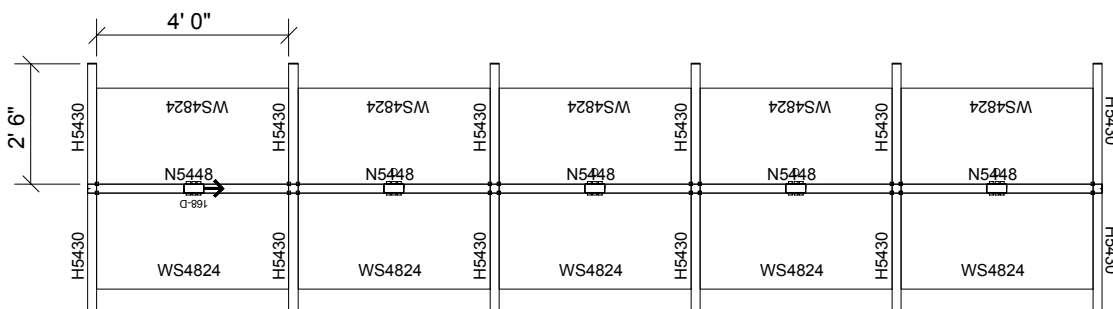
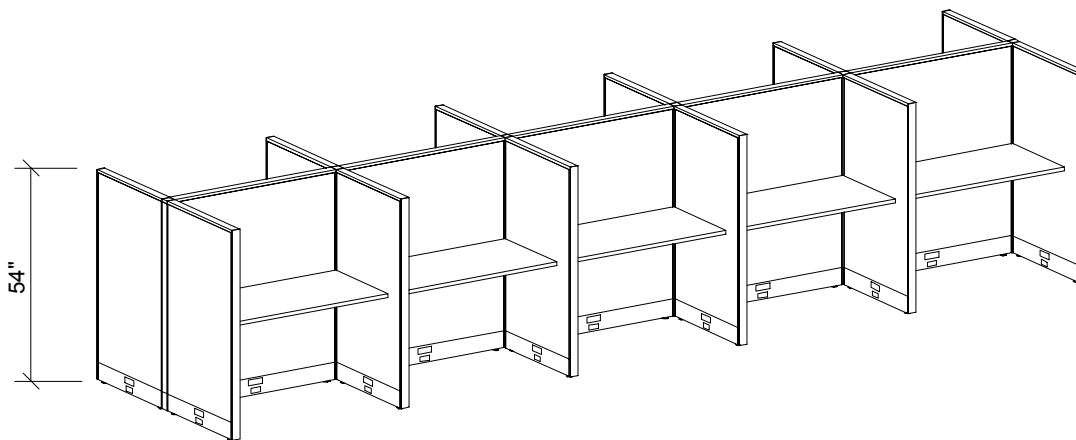


tayco.  
work well.™

V.e.s. -- typical 30

- \* 54H PANELS
- \* ELECTRICS ALONG THE SPINE
- \* GRADE 1 FABRIC

4'X2-1/2' 10 stations -- \$111.00 (est.)

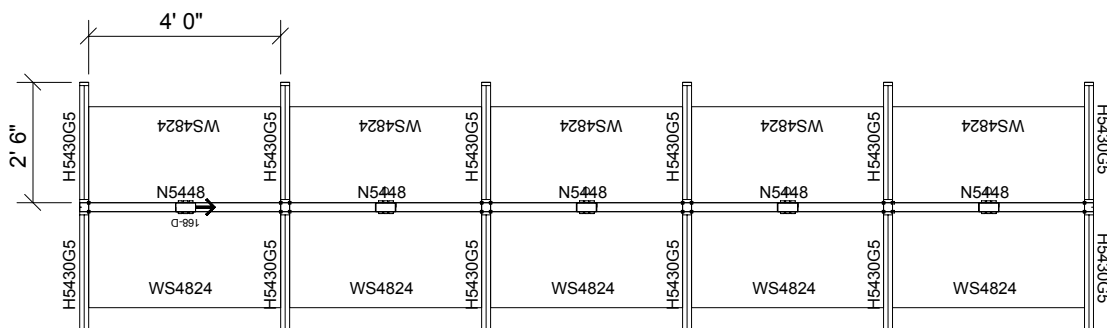
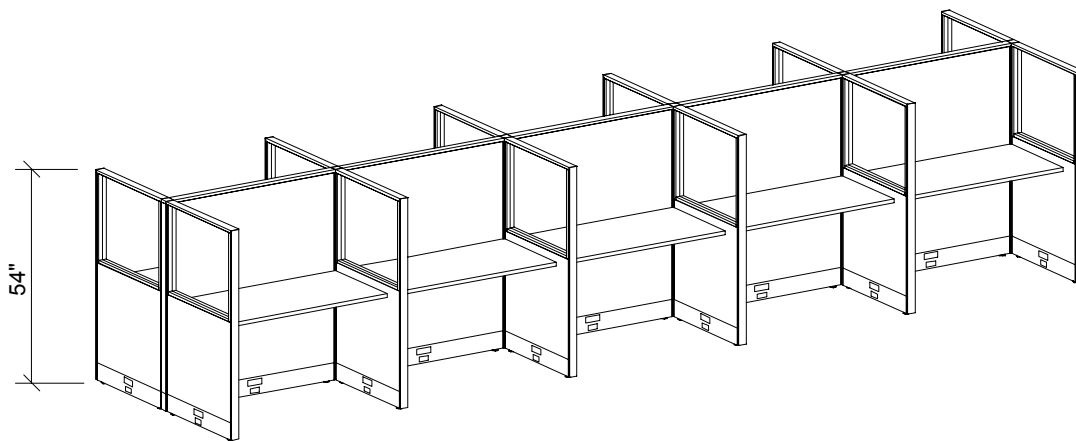


tayco.  
work well.™

**v.e.s.** -- typical 31

4'X2-1/2' 10 stations -- \$11,100 (est.)

- \* 54H PANELS
- \* ELECTRICS ALONG THE SPINE
- \* GRADE 1 FABRIC
- \* BRONZE GLAZING



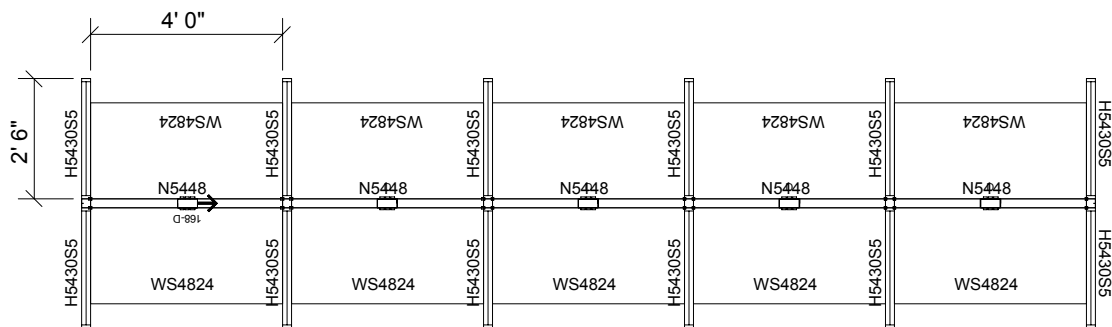
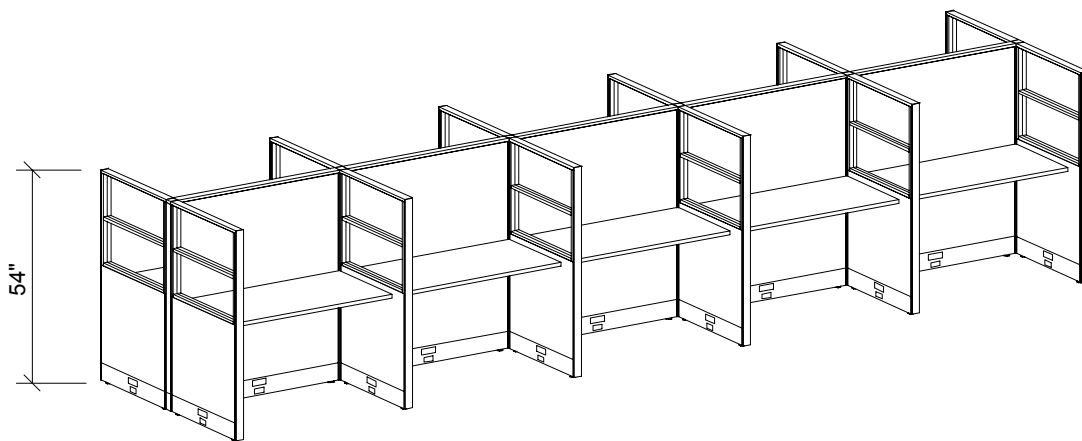


tayco.  
work well.™

**v.e.s.** -- typical 32

4'X2-1/2' 10 stations -- \$11,000 (est.)

- \* 54H PANELS
- \* ELECTRICS ALONG THE SPINE
- \* GRADE 1 FABRIC
- \* BRONZE GLAZING



tayco.  
work well.™

office furniture  
in your comfort zone.

Authorized Distributor

Barry's Office Furniture  
Phone: (416) 971 5054  
192 Spadina Av, Toronto, ON, M5T 2C2  
[www.barrysofficefurniture.com](http://www.barrysofficefurniture.com)

WORK WELL IS A TRADEMARK OF TAYCO PANELINK LTD. ALL RIGHTS RESERVED.  
JULY 2008, REVISION 1, TPL-MKT-02-435  
PRINTED IN CANADA