

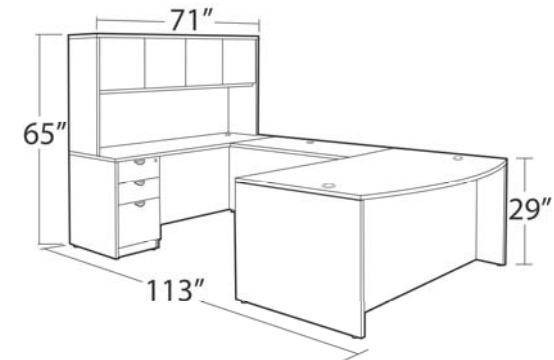


Management Suite SLP105

Offices to Go offers a range of mix and match components that can be easily configured to suit any office. Design details include thermally fused laminate surfaces, durable 3mm PVC edge, leveling glides and superior hardware.



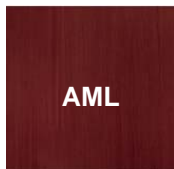
Package Components



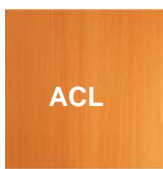
- | | |
|-----------|---------------------------|
| SL7141BDS | Bow front desk |
| SL71HD | Hutch with doors |
| SL7124CS | 71" Credenza |
| SL4824FB | 48" Bridge |
| SL22BBF | Box / box / file pedestal |

Specifications

- Total weight623 lbs / 282.6 kg
 Total volume.35.4 ft³ / 1 m³
 Number of cartons.5



Mahogany



Cherry